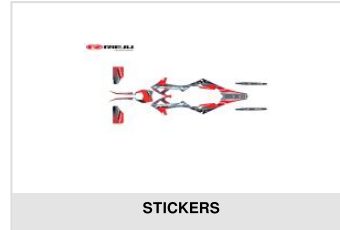
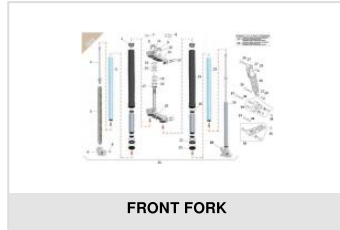
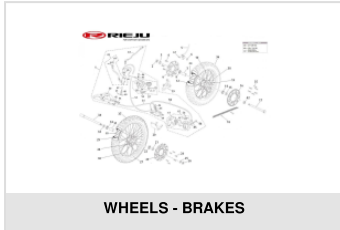
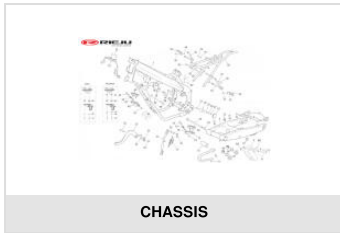


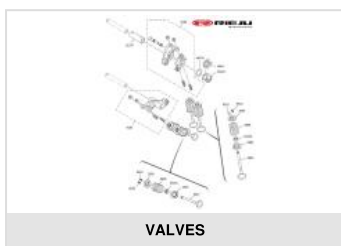
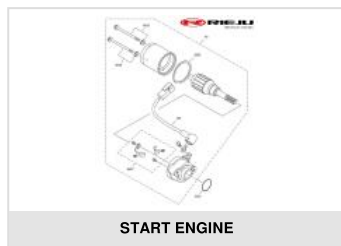
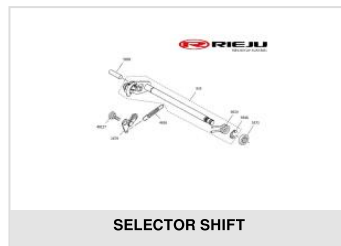
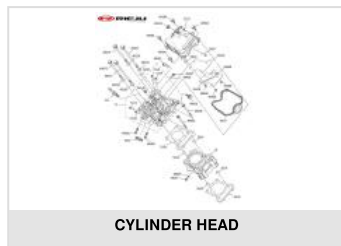
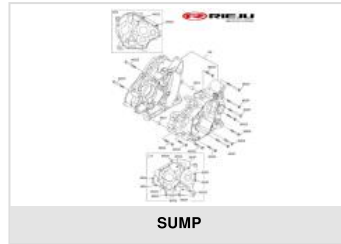
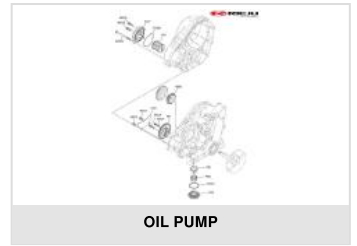
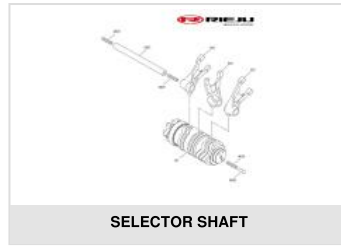


MR 125 PRO ENDURO E5+ RED 2026

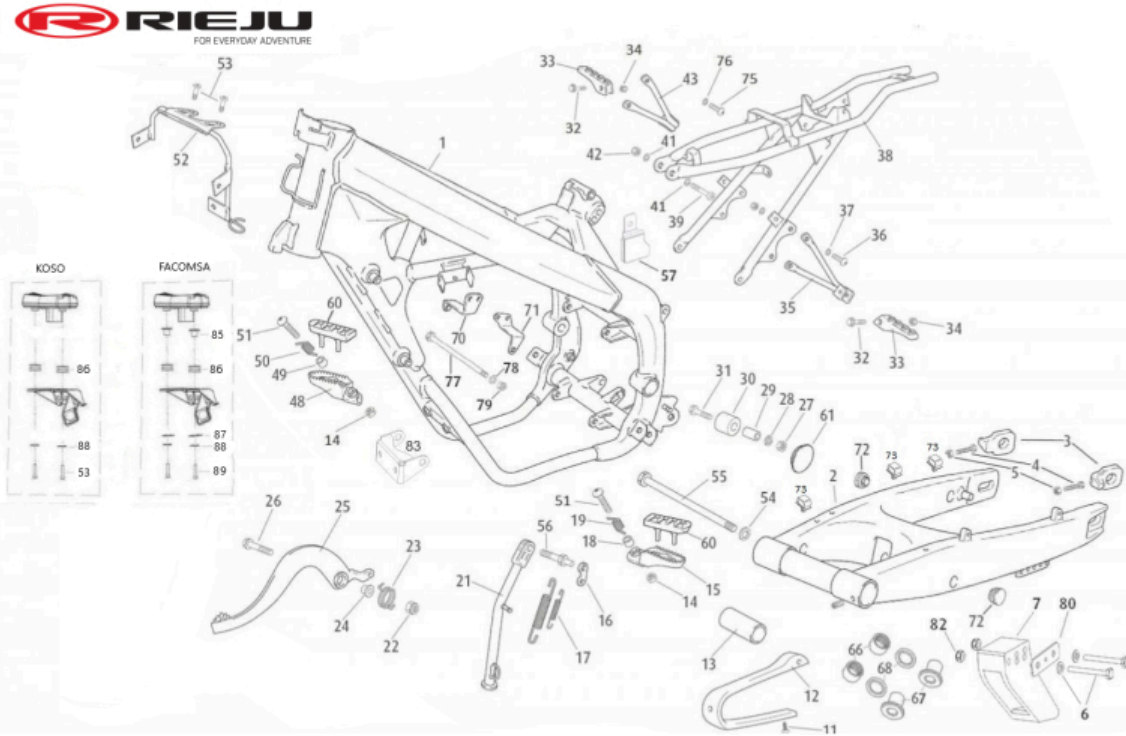
Exploded



WR125 E5 +



CHASSIS

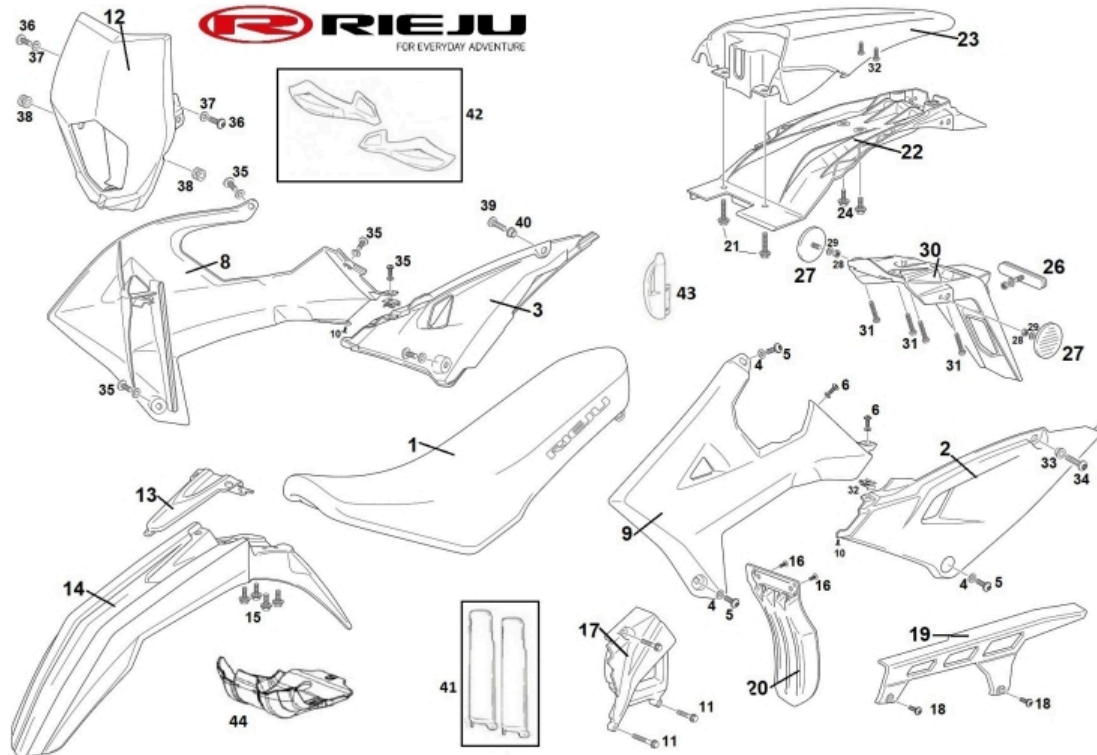


1	CHASSIS MRT 125 PRO EURO5 0/000.010.5015 (u. 1)
2	ALUMINUM SWINGARM MRT v.2 0/000.020.5219 (u. 1)
3	SWINGARM CAP ALUMINUM v.2 BLACK 0/000.410.5008 (u. 4)
4	DIN 933 M7x50 SCREW GRADE 8.8 Z/WHITE 0/000.460.0636 (u. 2)
5	DIN 934 M7 NUT CAL.8 Z/WHITE 0/000.340.0140 (u. 2)
6	SCREW ISO 7380 Torx T-30 with washer M6x50 STAINLESS STEEL 0/000.460.0040 (u. 2)
7	RED CHAIN GUIDE 2018 0/000.710.0303 (u. 1)
11	SCREW DIN 7982 PHILLIPS ST5.5x25 C Z/WHITE 0/000.460.0745 (u. 2)
12	RUBBER CHAIN SLIDER MRX/SMX 0/000.360.5001 (u. 1)
13	WHITE ZINC-PLATED SPACER 20x3x141 0/000.480.5037 (u. 1)
14	NUT DIN 6926 M10 GRADE 8 Z/WHITE 0/000.340.0182 (u. 2)
15	LEFT-HAND RIDER FOOTREST 0/000.740.0310 (u. 1)
16	SPRING RETURN STAND SUPPORT MRT ZINC-PLATED 0/000.980.5102 (u. 1)
17	STAND SPRING TANGO 0/000.470.8000 (u. 1)
18	SPACER Q14 X 2 X 24 0/000.480.0215 (u. 1)

19	LEFT FOOTREST SPRING MRX 0/000.470.5002 (u. 1)
21	SIDESTAND TANGO 0/000.210.8000 (u. 1)
22	NUT DIN 985 M8 GRADE 8 ZINC/WHITE 0/000.340.0181 (u. 1)
23	BRAKE LEVER SPRING PT107 0/000.470.5011 (u. 1)
24	BRAKE LEVER BUSHING MRX 0/000.260.5001 (u. 1)
25	FRONT BRAKE LEVER MRT 125 2010 0/000.730.6002 (u. 1)
26	SCREW DIN 6921 M8x60 GRADE 8.8 Z/WHITE 0/000.460.0493 (u. 1)
27	NUT DIN 985 M8 GRADE 8 ZINC/WHITE 0/000.340.0181 (u. 1)
28	FLAT WASHER Ø20xØ8.5x1.5 Z/WHITE 0/000.440.0161 (u. 1)
29	CHAIN ROLLER BUSHING 24.5XQ14X8 0/000.480.0645 (u. 1)
30	RUBBER ROLLER CHAIN GUIDE 0/000.360.0792 (u. 1)
31	BOLT DIN 6921 M8x40 GRADE 8.8 ZINC/WHITE 0/000.460.0673 (u. 1)
32	SCREW DIN 6921 M6X35 GRADE 8.8 ZINC/WHITE 0/000.460.0622 (u. 2)
33	PASSENGER FOOTREST RRX/SPORT 0/000.740.0330 (u. 2)
34	NUT DIN 6926 M6 GRADE 8 Z/WHITE 0/000.340.0170 (u. 2)
35	PASSENGER LH FOOTPEG SUPPORT 0/000.980.5108 (u. 1)
36	DIN 6921 BOLT M8x25 GRADE 8.8 ZINC/WHITE 0/000.460.0670 (u. 2)
37	NUT DIN 985 M8 GRADE 8 ZINC/WHITE 0/000.340.0181 (u. 2)
38	SUBCHASSIS MRT EURO5 WITH RIVETS 0/K00.010.5017 (u. 1)
39	SCREW DIN 912 Allen M10x80 Grade 8.8 ZINC PLATED 0/000.460.6215 (u. 1)
41	FLAT WASHER DIN 125/A M8 Z/WHITE 0/000.440.0160 (u. 2)
42	NUT DIN 985 M10 GRADE 8 Z/WHITE 0/000.340.0187 (u. 1)
43	FOOTREST BRACKET RH MRT v.2 0/000.980.5125 (u. 1)
48	RIGHT-HAND RIDER FOOTREST 0/000.740.0300 (u. 1)
49	SPACER Q14 X 2 X 24 0/000.480.0215 (u. 1)
50	RIGHT FOOTREST SPRING MRX 0/000.470.5001 (u. 1)
51	ISO 7380 ALLEN SCREW M10x50 GRADE 10.9 Z/WHITE 0/000.460.5100 (u. 2)
52	HEADLIGHT SUPPORT AND KMS ACCOUNT EVEREST MRT PRO R16V 0/000.980.5037F (u. 1)

53	SCREW ISO 7380 Torx T-25 with washer M5x16 STAINLESS STEEL 0/000.460.0083 (u. 4)
54	FLAT WASHER DIN 125/A M14 Z/WHITE 0/000.440.0123 (u. 1)
55	SWINGARM AXLE TANGO 2010 0/000.190.8001 (u. 1)
56	PADDOCK STAND BOLT 0/000.460.8000 (u. 1)
57	BRAKE HOSE SUPPORT KIT MARATHON 125 EURO 4 0/K00.220.5000 (u. 1)
61	PLASTIC STOPPER CHASSIS MRT 0/000.410.0361 (u. 1)
66	NEEDLE BEARING HK 22-20 0/000.960.0511 (u. 2)
67	SWINGARM MRT PRO 0/000.260.5002 (u. 2)
68	SEAL 22 x 32 x 5.5 SC MBR TT0 0/000.890.5004 (u. 2)
70	CYLINDER HEAD SUPPORT RH MRT 125 PRO E5 0/000.980.5118 (u. 1)
71	CYLINDER HEAD SUPPORT LH MRT 125 PRO E5 0/000.980.5119 (u. 1)
72	SWINGARM MRT PRO CAP 0/000.410.0360 (u. 6)
73	CLIP FOR SWINGARM CABLES MRT PRO 0/000.630.5002 (u. 1)
75	SCREW DIN 6921 M8x30 Cal.8.8 Z/WHITE 0/000.460.0671 (u. 1)
76	BUSHING WASHER TANK MOUNT 20 X 8 X 4 0/000.480.5018 (u. 1)
77	SCREW DIN 6921 M8x65 GRADE 8.8 ZINC/WHITE 0/000.460.0492 (u. 1)
78	BUSHING WASHER TANK MOUNT 20 X 8 X 4 0/000.480.5018 (u. 1)
79	(5 UNIT BAG) NUT DIN 6926 M10 GRADE 8 Z / WHITE 0/000.340.0182B (u. 1)
80	MARATHON 125 PRO E4 - MRT 50 PRO E4 SWITZERLAND Z/WHITE CHAIN SLIDER BRACKET 0/000.980.6026 (u. 1)
82	SELF-LOCKING NUT DIN 985 M6 GRADE 8 ZINC/WHITE 0/000.340.0169 (u. 2)
83	FRONT MOTOR SUPPORT MRT 125 0/000.980.6116 (u. 1)
85	BUSHING Ø7x1.5x9.5 0/000.480.5064 (u. 2)
86	RUBBER KMS ACCOUNT MOUNT KOSO 0/000.360.0491 (u. 2)
87	FLAT WASHER DIN 9021 M4 Z/WHITE 0/000.440.0021 (u. 2)
88	SCHNORR WASHER M4 STAINLESS STEEL 0/000.440.0043 (u. 2)
89	SCREW DIN 912 Allen M4x16 Cal.8.8 Z/WHITE 0/000.460.0204 (u. 2)

FAIRINGS

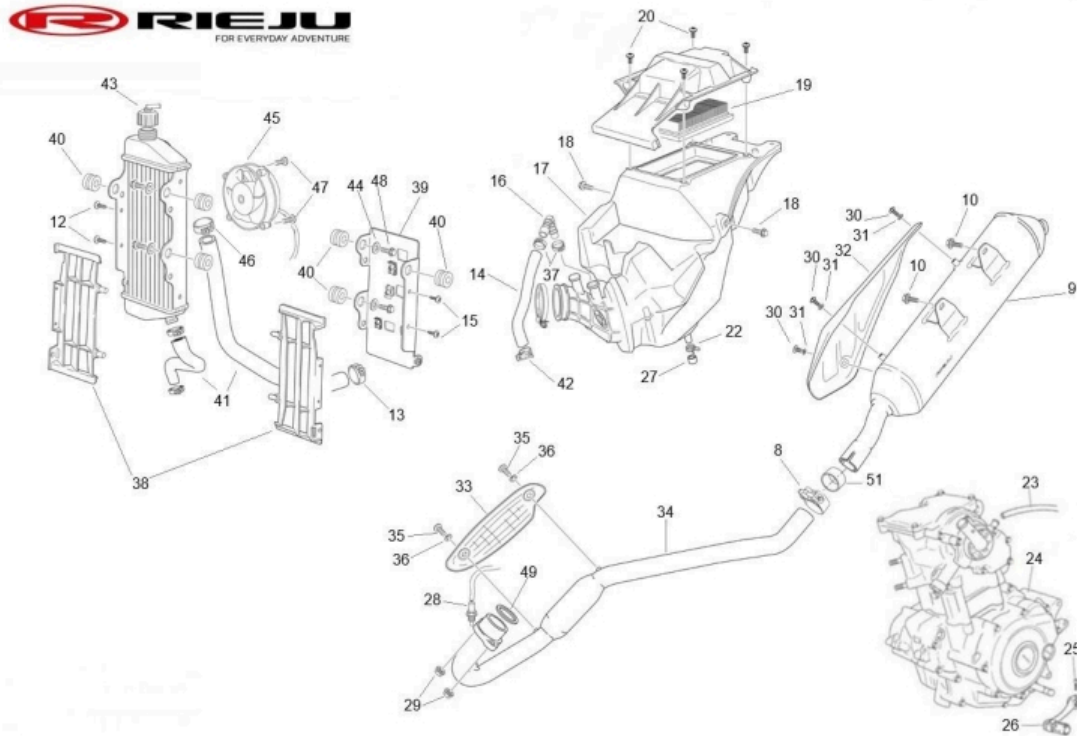


1	SEAT MR 125 PRO 2023 0/000.040.6005 (u. 1)
2	LEFT SIDE COVER RED INJ MRT 2021 0/000.570.5421 (u. 1)
3	RIGHT SIDE COVER RED INJECTION MRT 2021 0/000.570.5420 (u. 1)
8	RADIATOR COVER RIGHT RED INJECTION MRT 2021 0/000.570.5418 (u. 1)
9	LEFT RED RADIATOR COVER INJ MRT 2021 0/000.570.5419 (u. 1)
12	HEADLIGHT HOLDER WITHOUT LENS RED INY MRT 2021 0/000.620.5122 (u. 1)
13	FRONT MUDGUARD SUPPORT TRIANGLE 0/000.620.5302 (u. 1)
14	RED FRONT MUDGUARD MRT 2016 0/000.050.5202 (u. 1)
17	ENGINE SPROCKET PROTECTOR BLACK 2021 0/000.220.5018 (u. 1)
19	CHAIN GUARD MRT 0/000.200.0400 (u. 1)
20	SHOCK ABSORBER COVER TANGO 0/000.200.8000 (u. 1)
22	REAR FENDER LICENSE PLATE HOLDER MRT 2021 0/000.060.5301 (u. 1)
23	REAR FENDER RED INJ MRT 2023 0/000.060.5317 (u. 1)
26	REAR REFLECTOR 0/000.630.0551 (u. 1)
27	YELLOW REFLECTOR PLASTIC W/SCREW 0/000.630.0530 (u. 2)
30	LICENSE PLATE HOLDER APPROVED MRT 2021 0/000.060.5302 (u. 1)

43	REAR BRAKE PUMP PROTECTOR MRX/SMX 2005 0/000.220.5100 (u. 1)
44	ENGINE GUARD MRT 125i PRO E5 v.2 0/000.220.6009 (u. 1)
	SKID PLATE KIT MRT 125i PRO E5 v.2 WITH FOAM 0/K00.220.6009 (u. 1)

22	FRONT FUEL TANK MOUNTING RUBBER 0/000.360.5012 (u. 1)
23	PLASTIC CONNECTOR "L" WS 10 Ø10 0/000.630.1000 (u. 1)
24	FUEL CAP LOCK STOP PLATE MRT v.2 0/000.220.5020 (u. 1)
27	CANISTER CENTURY V.2 0/000.640.4014 (u. 1)
28	FUEL TANK CAP PT/107 0/000.410.5300 (u. 1)

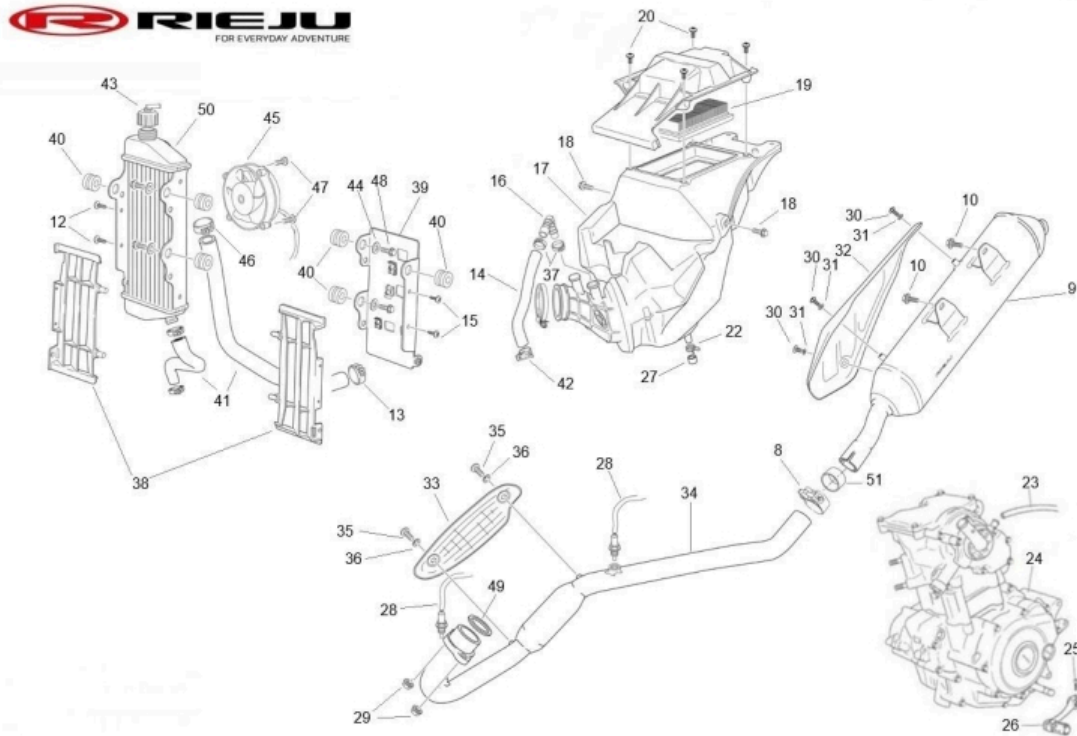
EXHAUST SYSTEM FOR VEHICLES UP TO VIN VTPMRT80D00T00310



8	CLAMP SUPRA 40-43 W2 0/000.680.6009 (u. 1)
9	PETACA INOX MRT 125 EURO5 C/PROTECTOR 2022 0/000.870.5063 (u. 1)
10	SCREW DIN 6921 M6x16 GRADE 8.8 ZINC/WHITE 0/000.460.0600 (u. 2)
12	RADIATOR PROTECTOR SCREW 0/000.460.4026 (u. 2)
13	CLAMP COBRA Ø23/8 W4 0/000.680.0540 (u. 1)
14	TUBO DESVAPORIZADOR MOTOR A CAJA FILTRO MRT 125 LC E5 0/000.290.6025 (u. 1)
15	RADIATOR PROTECTOR SCREW 0/000.460.4026 (u. 4)
16	PLASTIC CONNECTOR "L" WS 10 Ø10 0/000.630.1000 (u. 1)
17	COMPLETE FILTER BOX MRT 125 E5 MN 0/000.910.6004 (u. 1)
18	SCREW DIN 6921 M6x10 0/000.460.6203 (u. 2)
19	PAPER AIR FILTER 0/001.070.4000 (u. 1)
20	ISO 7380 TORX T-30 SCREW WITH WASHER M6X16 STAINLESS STEEL 0/000.460.2023 (u. 4)
22	HOSE CLAMP NORMA 35-50 0/000.680.7002 (u. 1)
23	COPOLAN-NBR-NVC TUBE Ø8 x Ø12 x 230 0/000.290.0666 (u. 1)
24	ENGINE WR125 EURO5 0/005.082.6013 (u. 1)
25	SCREW DIN 912 ALLEN M6x20 GRADE 8.8 ZINC/WHITE 0/000.460.0310 (u. 1)

26	GEAR CHANGE PEDAL SELECTOR MRT 125 0/005.430.6001 (u. 1)
27	EXCESS PLUG FILTER BOX TANGO 125i v2 0/000.410.8016 (u. 1)
28	LAMBDA SENSOR 0/229.000.0106 (u. 1)
30	SCREW ISO 7380 TORX T-30 WITH WASHER M6X20 STAINLESS STEEL 0/000.460.3031 (u. 2)
31	THERMAL GASKET D6XD17X3MM 0/000.360.2007 (u. 2)
32	SILENCER PROTECTOR 2022 + SCREWS 0/000.220.5023 (u. 1)
33	EXHAUST PIPE PROTECTOR MARATHON 125 EURO 4 0/000.220.6007 (u. 1)
34	EXHAUST PIPE MRT 125 EUROPA EURO5 STAINLESS STEEL V.2 0/000.290.6036 (u. 1)
35	SCREW ISO 7380 TORX T-30 WITH WASHER M6X20 STAINLESS STEEL 0/000.460.3031 (u. 2)
36	HEAT SHIELD WASHER Ø20xØ5x1 0/000.440.6000 (u. 2)
37	COBRA CLAMP Ø14/8 W4 0/000.680.0568 (u. 2)
38	RADIATOR PROTECTOR MRT 0/000.220.0591 (u. 2)
39	ELECTRICAL SYSTEM BRACKET MRT PRO 125i MN E5 0/000.980.6030 (u. 1)
40	RUBBER SILENTBLOCK RADIATOR 0/000.360.0400 (u. 6)
41	RADIATOR HOSE SET 0/000.640.6007 (u. 1)
43	RADIATOR CAP MRT 0/000.410.5102 (u. 1)
44	FLAT WASHER DIN 9021 M6 Z/WHITE 0/000.440.0130 (u. 4)
45	ELECTRIC FAN MRT 125 2019 0/005.060.6001 (u. 1)
46	HOSE CLAMP F.B.S. Q26 0/000.680.0550 (u. 1)
47	ELECTROFAN FIXATION SCREW 0/000.460.6300 (u. 1)
48	SCREW DIN 6921 M6x16 GRADE 8.8 ZINC/WHITE 0/000.460.0600 (u. 4)
49	EXHAUST GASKET 31X39X4 MRX/SMX 125 0/000.490.6000 (u. 1)
50	KIT RADIATOR MRT 50 2016 0/K00.580.5000 (u. 1)
51	EXHAUST PIPE GRAPHITE COLLECTOR 0/000.260.8010 (u. 1)

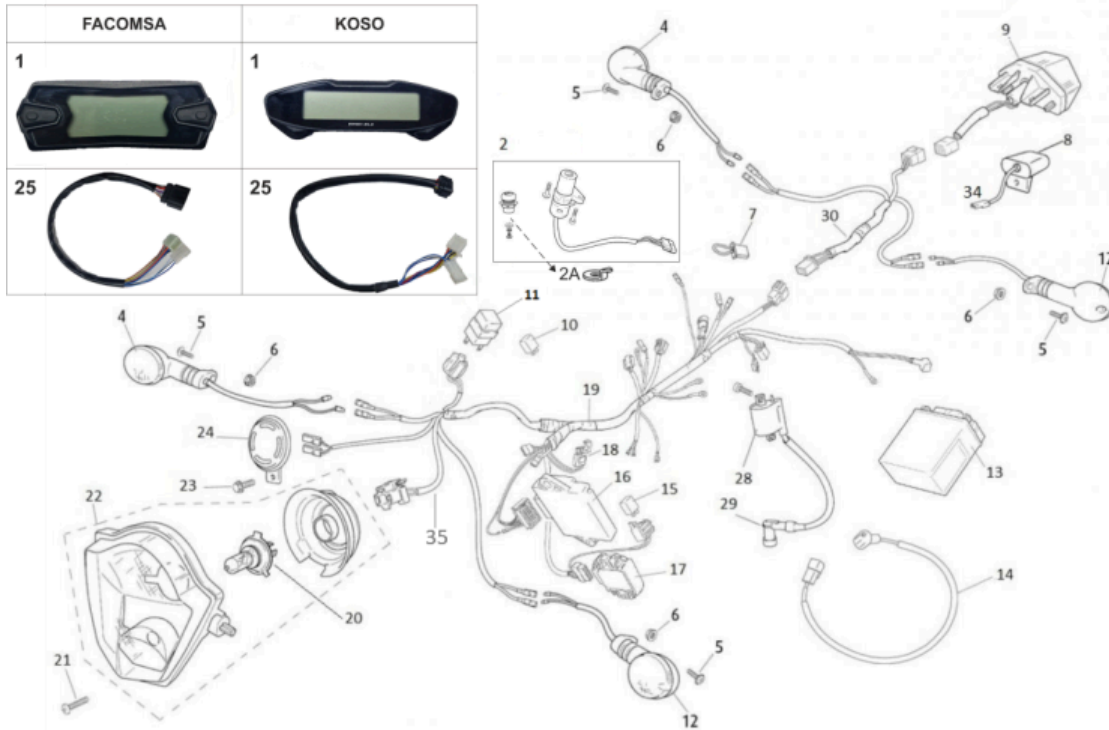
EXHAUST SYSTEM FOR VEHICLES FROM VIN VTPMRT80D00T00311



8	CLAMP SUPRA 40-43 W2 0/000.680.6009 (u. 1)
9	SILENCIOSO MARATHON 125 E5+ CON PROTECTOR 0/000.870.6014 (u. 1)
10	SCREW DIN 6921 M6x16 GRADE 8.8 ZINC/WHITE 0/000.460.0600 (u. 2)
12	RADIATOR PROTECTOR SCREW 0/000.460.4026 (u. 2)
13	CLAMP COBRA Ø23/8 W4 0/000.680.0540 (u. 1)
14	TUBO DESVAPORIZADOR MOTOR A CAJA FILTRO MRT 125 LC E5 0/000.290.6025 (u. 1)
15	RADIATOR PROTECTOR SCREW 0/000.460.4026 (u. 4)
16	PLASTIC CONNECTOR "L" WS 10 Ø10 0/000.630.1000 (u. 1)
17	COMPLETE FILTER BOX MRT 125 E5 MN 0/000.910.6004 (u. 1)
18	SCREW DIN 6921 M6x10 0/000.460.6203 (u. 2)
19	PAPER AIR FILTER 0/001.070.4000 (u. 1)
20	ISO 7380 TORX T-30 SCREW WITH WASHER M6X16 STAINLESS STEEL 0/000.460.2023 (u. 4)
22	HOSE CLAMP NORMA 35-50 0/000.680.7002 (u. 1)
23	COPOLAN-NBR-NVC TUBE Ø8 x Ø12 x 230 0/000.290.0666 (u. 1)
24	MOTOR WR125 EURO5+ 2024 0/005.082.6014 (u. 1)
25	SCREW DIN 912 ALLEN M6x20 GRADE 8.8 ZINC/WHITE 0/000.460.0310 (u. 1)

26	GEAR CHANGE PEDAL SELECTOR MRT 125 0/005.430.6001 (u. 1)
27	EXCESS PLUG FILTER BOX TANGO 125i v2 0/000.410.8016 (u. 1)
28	LAMBDA SENSOR 0/229.000.0106 (u. 2)
30	SCREW ISO 7380 TORX T-30 WITH WASHER M6X20 STAINLESS STEEL 0/000.460.3031 (u. 2)
31	THERMAL GASKET D6XD17X3MM 0/000.360.2007 (u. 2)
32	SILENCER PROTECTOR 2022 + SCREWS 0/000.220.5023 (u. 1)
33	EXHAUST PIPE PROTECTOR MARATHON 125 EURO 4 0/000.220.6007 (u. 1)
34	EXHAUST PIPE MRT 125 E5+ INOX WITH HEAT SHIELD 0/000.290.6121 (u. 1)
35	SCREW ISO 7380 TORX T-30 WITH WASHER M6X20 STAINLESS STEEL 0/000.460.3031 (u. 2)
36	HEAT SHIELD WASHER Ø20xØ5x1 0/000.440.6000 (u. 2)
37	COBRA CLAMP Ø14/8 W4 0/000.680.0568 (u. 2)
38	RADIATOR PROTECTOR MRT 0/000.220.0591 (u. 2)
39	ELECTRICAL SYSTEM BRACKET MRT PRO 125i MN E5 0/000.980.6030 (u. 1)
40	RUBBER SILENTBLOCK RADIATOR 0/000.360.0400 (u. 6)
41	RADIATOR HOSE SET 0/000.640.6007 (u. 1)
43	RADIATOR CAP MRT 0/000.410.5102 (u. 1)
44	SCREW CELO CL81Z 4x25 PHILLIPS Z/WHITE 0/000.460.3506 (u. 4)
45	ELECTRIC FAN MRT 125 2019 0/005.060.6001 (u. 1)
46	HOSE CLAMP F.B.S. Q26 0/000.680.0550 (u. 1)
47	ELECTROFAN FIXATION SCREW 0/000.460.6300 (u. 1)
48	CAP NUT M8 0/000.340.7031 (u. 2)
49	EXHAUST GASKET 31X39X4 MRX/SMX 125 0/000.490.6000 (u. 1)
50	KIT RADIATOR MRT 50 2016 0/K00.580.5000 (u. 1)
51	GRAPHITE DOLLA COLLECTOR MARATHON 125 E5+ 0/000.260.6001 (u. 1)

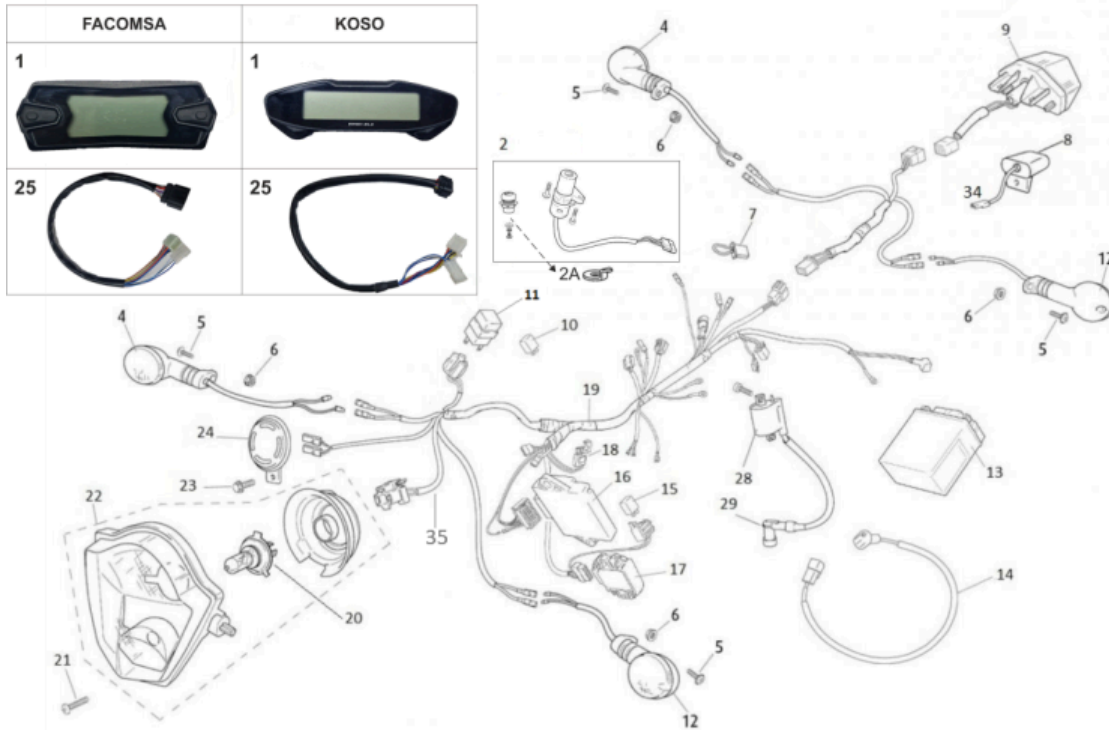
ELECTRICAL SYSTEM FOR VEHICLES UP TO VIN VTPMRT80D00T00310



1	KMS ACCOUNT FACOMSA MRT v.2 E5 0/001.000.2114 (u. 1)
1	KOSO SPEEDOMETER EURO5 WITH FUEL LEVEL WITHOUT SENSOR 0/001.000.2112 (u. 1)
2	KEY SET MRT v.2 2021 0/001.060.5000 (u. 1)
2A	LOCKING PLATE FUEL CAP MRT v.2 0/000.220.5019 (u. 1)
4	FRONT RIGHT/REAR LEFT OVAL INDICATOR 0/000.150.2100 (u. 2)
5	SCREW ISO 7380 Torx T-25 with washer M5x16 STAINLESS STEEL 0/000.460.0083 (u. 4)
6	NUT DIN 6926 M5 GRADE 8 Z/WHITE 0/000.340.0172 (u. 4)
8	LED LICENSE PLATE LIGHT 2018 0/000.150.6001 (u. 1)
9	LED TAIL LIGHT V.2 0/000.150.9106 (u. 1)
10	SWITCHED RELAY 0/001.200.0401 (u. 1)
11	FLASHER UNIT 0/001.200.5032 (u. 1)
12	LEFT FRONT OVAL INDICATOR/RIGHT REAR 0/000.150.2200 (u. 2)
13	BATTERY 12V 6.5AH EST7B-BS ENERYSAFE 0/000.900.4003 (u. 1)
13	BATERIA 12V 6.5AH MYT7BBS 0/000.900.4004 (u. 1)
14	STARTER MOTOR INSTALLATION SUPPLEMENT WR ENGINE 0/000.160.6025 (u. 1)

15	STARTER RELAY W/O RUBBER MRX/SMX 125 (70 Ah) 0/001.200.6001 (u. 1)	
17	REGULATOR 0/229.012.0008 (u. 1)	
18	FUSE SCOOTER 0/000.910.0610 (u. 1)	
19	MAIN INSTALLATION MRT 125 EURO5 0/000.160.5039 (u. 1)	
20	HEADLIGHT BULB H4 35/35 12V. 0/000.850.9000 (u. 1)	
21	SCREW DIN 7985 M5x25 Phillips Z/WHITE 4.8 0/000.460.0786 (u. 1)	
22	HEADLIGHT ASSEMBLY WITH POSITION LIGHT PT-107 0/000.600.0270 (u. 1)	
23	SCREW DIN 6921 M6x16 GRADE 8.8 ZINC/WHITE 0/000.460.0600 (u. 1)	
24	HORN CLASS II TYPE DL128J-12V 0/000.420.5011 (u. 1)	
	HORN BRACKET MRT v.2 0/000.980.5124 (u. 1)	
25	SUPPLEMENT INSTALLATION KMS ACCOUNT COMPLETE KOSO EURO 5 WITH OBD 0/000.160.5036 (u. 1)	
	INSTALLATION SUPPLEMENT MARKER MR MRT 125 0/000.160.6037 (u. 1)	
28	COIL E5 125WR 0/229.000.0001 (u. 1)	Obsolete
29	ENGINE SPARK PLUG CAP 125 2009 0/005.110.6002 (u. 1)	
30	INSTALLATION TAIL MRT EURO5 C 0/000.160.5043 (u. 1)	
34	INSTALLATION SUPPLEMENT LICENSE PLATE LIGHT MRT E5 v.2 0/000.160.5041 (u. 1)	
35	DIPPED HEADLIGHT HARNESS MR / MARATHON 0/000.160.9129 (u. 1)	

ELECTRICAL SYSTEM FOR VEHICLES FROM VIN VTPMRT80D00T00311



1 KOSO SPEEDOMETER EURO5 WITH FUEL LEVEL WITHOUT SENSOR
0/001.000.2112 (u. 1)

1 KMS ACCOUNT FACOMSA MRT v.2 E5
0/001.000.2114 (u. 1)

2 KEY SET MRT v.2 2021
0/001.060.5000 (u. 1)

2A LOCKING PLATE FUEL CAP MRT v.2
0/000.220.5019 (u. 1)

4 FRONT RIGHT/REAR LEFT OVAL INDICATOR
0/000.150.2100 (u. 2)

5 SCREW ISO 7380 Torx T-25 with washer M5x16 STAINLESS STEEL
0/000.460.0083 (u. 4)

6 NUT DIN 6926 M5 GRADE 8 Z/WHITE
0/000.340.0172 (u. 4)

8 LED LICENSE PLATE LIGHT 2018
0/000.150.6001 (u. 1)

9 LED TAIL LIGHT V.2
0/000.150.9106 (u. 1)

10 SWITCHED RELAY
0/001.200.0401 (u. 1)

11 FLASHER UNIT
0/001.200.5032 (u. 1)

12 LEFT FRONT OVAL INDICATOR/RIGHT REAR
0/000.150.2200 (u. 2)

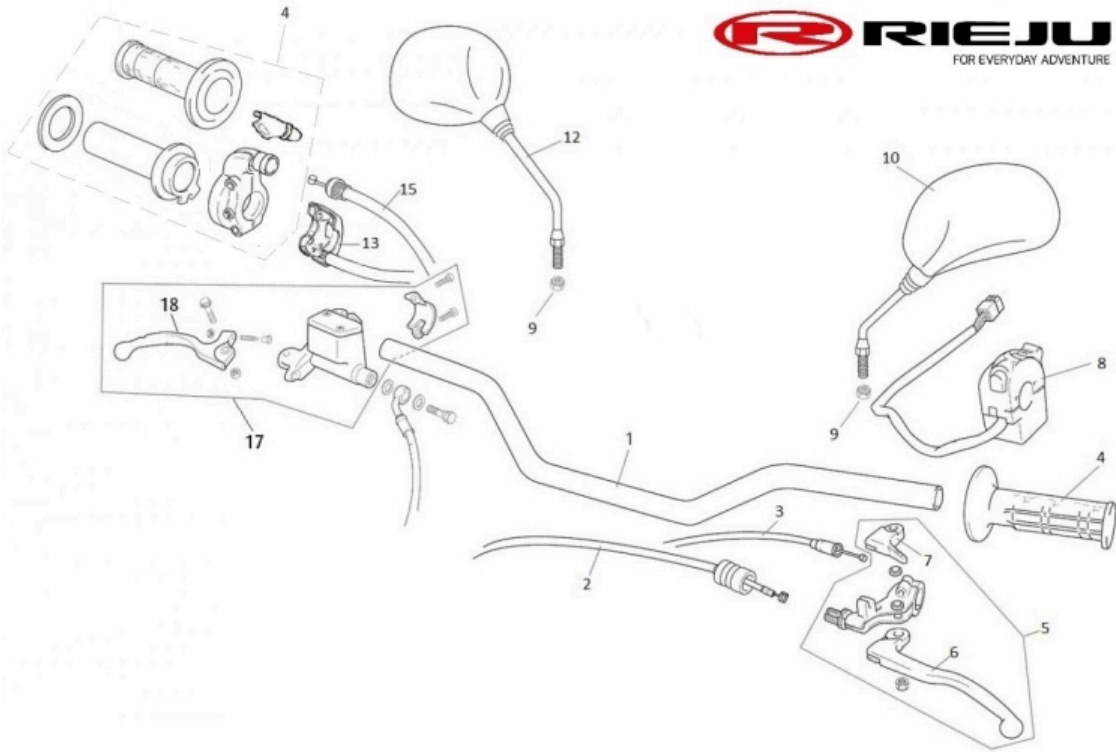
13 BATTERY 12V 6.5AH EST7B-BS ENERYSAFE
0/000.900.4003 (u. 1)

13 BATERIA 12V 6,5AH MYT7BBS
0/000.900.4004 (u. 1)

14 STARTER MOTOR INSTALLATION SUPPLEMENT WR ENGINE
0/000.160.6025 (u. 1)

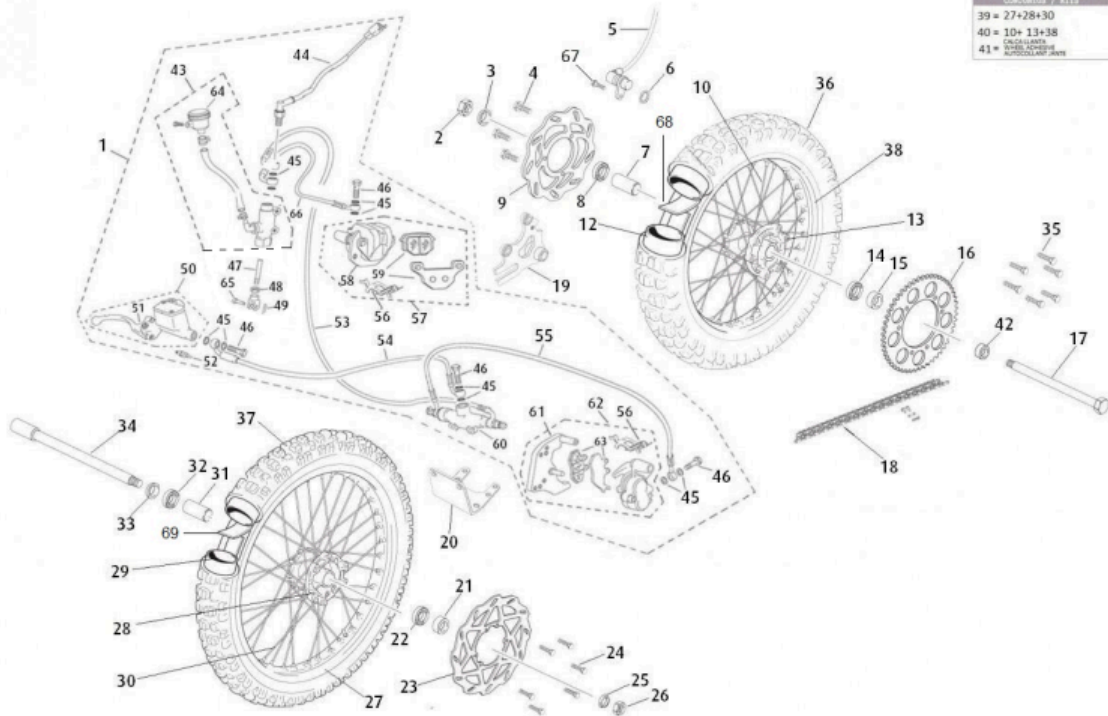
15	STARTER RELAY W/O RUBBER MRX/SMX 125 (70 Ah) 0/001.200.6001 (u. 1)	
17	REGULATOR 0/229.012.0008 (u. 1)	
18	FUSE SCOOTER 0/000.910.0610 (u. 1)	
19	MAIN HARNESS 0/000.160.6041 (u. 1)	
20	HEADLIGHT BULB H4 35/35 12V. 0/000.850.9000 (u. 1)	
21	SCREW DIN 7985 M5x25 Phillips Z/WHITE 4.8 0/000.460.0786 (u. 1)	
22	HEADLIGHT ASSEMBLY WITH POSITION LIGHT PT-107 0/000.600.0270 (u. 1)	
23	SCREW DIN 6921 M6x16 GRADE 8.8 ZINC/WHITE 0/000.460.0600 (u. 1)	
24	HORN CLASS II TYPE DL128J-12V 0/000.420.5011 (u. 1)	
	HORN BRACKET MRT v.2 0/000.980.5124 (u. 1)	
25	INSTALLATION SUPPLEMENT MARKER MR MRT 125 0/000.160.6037 (u. 1)	
	SUPPLEMENT INSTALLATION KMS ACCOUNT COMPLETE KOSO EURO 5 WITH OBD 0/000.160.5036 (u. 1)	
28	COIL E5 125WR 0/229.000.0001 (u. 1)	Obsolete
29	ENGINE SPARK PLUG CAP 125 2009 0/005.110.6002 (u. 1)	
34	INSTALLATION SUPPLEMENT LICENSE PLATE LIGHT MRT E5 v.2 0/000.160.5041 (u. 1)	
35	DIPPED HEADLIGHT HARNESS MR / MARATHON 0/000.160.9129 (u. 1)	

HANDLEBAR



1	BLACK VARIABLE DIAMETER HANDLEBAR 0/000.170.9001 (u. 1)
2	CABLE EMBRAGUE MRT 125 PRO EURO5 0/000.550.5017 (u. 1)
3	COMPLETE STARTER CABLE MRT 125 2009 0/000.550.6007 (u. 1)
4	COMPLETE THROTTLE GRIP WITH RED HANDLEBAR GRIPS SET 0/000.530.6002 (u. 1)
5	CLUTCH LEVER WITHOUT STARTER LEVERS TANGO 125 2013 0/000.830.5006 (u. 1)
7	SINGLE STARTER LEVER TANGO 250 0/000.830.8302 (u. 1)
8	LEFT SWITCH MRT 125 E4 0/000.720.6004 (u. 1)
10	L/H REARVIEW MIRROR TANGO 0/000.990.8001 (u. 1)
12	R/H MIRROR TANGO 0/000.990.8000 (u. 1)
13	START SWITCH 2009 0/000.720.6001 (u. 1)
15	THROTTLE CABLE MRT 125 PRO EURO5 0/000.550.5016 (u. 1)
17	FRONT BRAKE PUMP WITH LEVER CBS 2017 0/000.820.0325 (u. 1)
18	FRONT BRAKE LEVER 2014 0/000.830.1011 (u. 1)

WHEELS - BRAKES



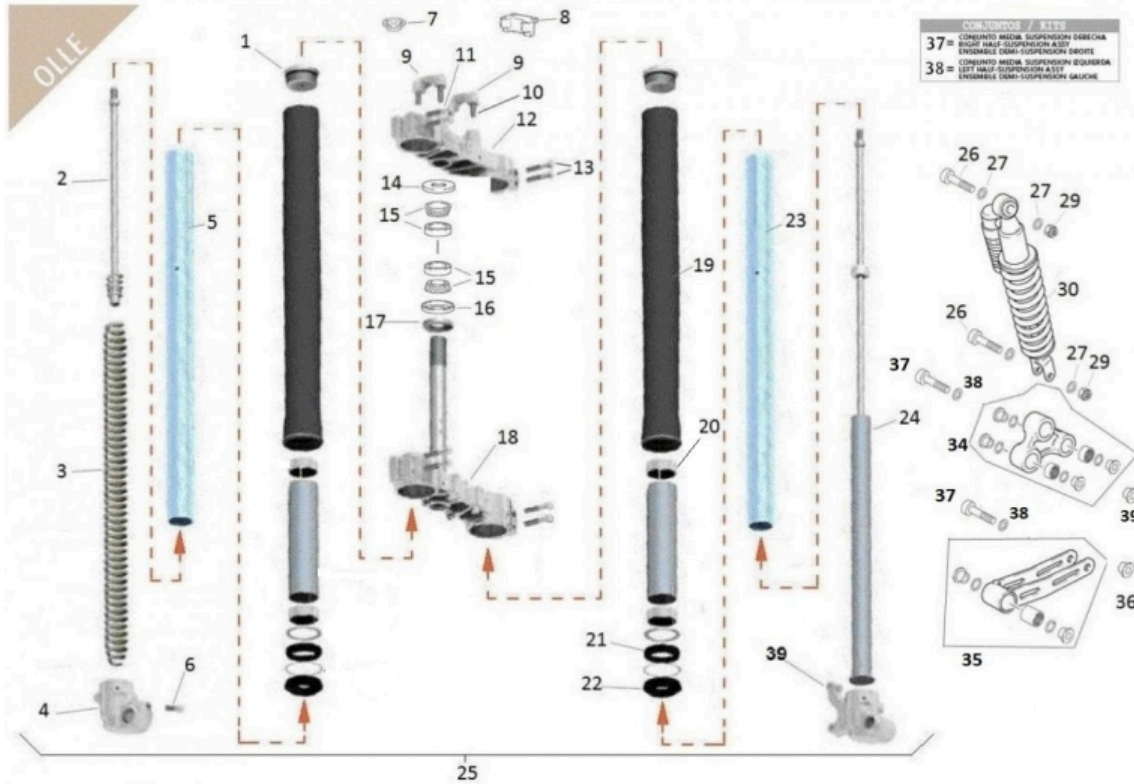
OPTION / KIT
39 = 27+28+30
40 = 10+ 13+38
41 = WHEEL COVER AUTOCOLLANT WHITE

1	COMBINED BRAKING SYSTEM MARATHON 125 PRO 0/000.820.0775 (u. 1)
2	NUT DIN 985 M14 PITCH 150 GRADE 10 Z/WHITE 0/000.340.0186 (u. 1)
3	FLAT WASHER DIN 125/A M14 Z/WHITE 0/000.440.0123 (u. 1)
4	SCREW DIN 933 M8x25 Cal.8.8 WHITE ZINC PLATED 0/000.460.0723 (u. 3)
5	RESEND ELECTRONIC KMS ACCOUNT SENSOR KOSO 0/001.010.2102 (u. 1)
6	TOOTHED WASHER DIN 6798/J M8 A2 STAINLESS STEEL 0/000.440.0180 (u. 1)
7	SEPARATOR Ø22 x 3.25 x 127 0/000.480.5040 (u. 1)
8	BEARING 6202NSE.C3 RS1/QE2 C3 0/000.960.0050 (u. 1)
9	REAR DISC BRAKE WAVE Ø200 2016 0/001.090.0266 (u. 1) - FOR VEHICLES UP TO VIN VTPMRT80D00T00310 REAR WAVE DISC BRAKE Ø200 0/001.090.8100 (u. 1) - FOR VEHICLES FROM VIN VTPMRT80D00T00311
10	REAR WHEEL RADIO REPLACEMENT KIT MRT ENDURO 0/K00.540.0000 (u. 12)
12	REAR TUBE 110/120//80-18 TR6 PG 0/000.520.0512 (u. 1)
14	BEARING 6202NSE.C3 RS1/QE2 C3 0/000.960.0050 (u. 1)
15	SPACER Ø25 X 5 X H18.5 0/000.480.8000 (u. 1)
16	GOLD DURALUMINUM SPROCKET Z58 e=7 CHAIN 428 (1/2" x 5/16" R8.51) 0/000.500.6006 (u. 1)

17	REAR WHEEL SHAFT MRT PRO 0/000.190.5303 (u. 1)	
18	COMPLETE CHAIN 138 LINKS 428 O-RING MARATHON PRO 125 EURO5 0/001.050.6002 (u. 1)	
19	REAR CALIPER SUPPORT CBS Ø200 MARATHON 125 0/000.980.6021 (u. 1)	
20	CBS VALVE SUPPORT MARATHON 125 PRO 0/000.980.6025 (u. 1)	
21	SEPARATOR Ø22 X 3.5 X H14.25 0/000.480.5032 (u. 1)	
22	BEARING 6202NSE.C3 RS1/QE2 C3 0/000.960.0050 (u. 1)	
23	KIT FOR MOUNTING COUNTERSUNK DISCS 0/001.090.0212 ON MRX/SMX 0/K01.090.0003 (u. 1)	
24	DIN 933 M6X20 BOLT 0/000.460.0693 (u. 6)	
25	FLAT WASHER DIN 125/A M14 Z/WHITE 0/000.440.0123 (u. 1)	
26	NUT DIN 985 M14 PITCH 150 GRADE 10 Z/WHITE 0/000.340.0186 (u. 1)	
27	BLACK FRONT WHEEL RIM MRT PRO 0/000.230.0803 (u. 1)	
28	COMPLETE FRONT WHEEL SPOOL MRT GRAY 0/000.070.0120 (u. 1)	
29	MOTORCYCLE TUBE 80/90/90-21 TR6 PG 0/000.520.0502 (u. 1)	
30	SPOKE KIT 252X3.06 (M3.5) WITH NIPPLE 0/K00.540.5005 (u. 36)	
	SPOKE 252 x 3,06 (M3,5) 0/000.540.5005 (u. 36)	Obsolete
31	SPACER Ø22x3.25x66.5 0/000.480.5039 (u. 1)	
32	BEARING 6202NSE.C3 RS1/QE2 C3 0/000.960.0050 (u. 1)	
33	SEPARATOR Ø22 X 3.5 X H23.5 0/000.480.5031 (u. 1)	
34	MRT PRO AXLE KIT 2013 0/K00.190.0000 (u. 1)	
35	DIN 6921 BOLT M8x25 GRADE 8.8 ZINC/WHITE 0/000.460.0670 (u. 6)	
36	REAR TIRE 120/90-18 M/C 65R 0/000.510.9002 (u. 1)	
37	FRONT TIRE 90/90-21 MICHELIN M/C 54R 0/000.510.9100 (u. 1)	
38	REAR WHEEL BLACK MRT PRO 0/000.230.0853 (u. 1)	
39	FRONT WHEEL 1.60 x 21" MRT (BLACK RIM, SPOKES AND HUB) 0/000.110.5440 (u. 1)	
40	REAR WHEEL 1.85 x 18" MRT (BLACK RIM, SPOKES, HUB) 0/000.120.5440 (u. 1)	
41	ADHESIVE RIM ENDURO RED 0/000.390.5140 (u. 4)	
42	SPACER Ø25 X 5 X H18.5 0/000.480.8000 (u. 1)	
43	COMPLETE REAR FOOT BRAKE PUMP CBS 2017 0/000.820.0326 (u. 1)	

44	REAR DISC BRAKE SWITCH 2009 0/000.720.0075 (u. 1)
45	BRAKE JOINT WASHER 0/000.440.7002 (u. 10)
46	SINGLE BANJO BOLT M10 x 100 0/000.460.7013 (u. 4)
47	BRAKE ROD MRT/50 0/000.240.5001 (u. 1)
48	(5 UNIT BAG) NUT DIN 934 M6 GRADE 8 Z / WHITE 0/000.340.0130B (u. 1)
49	COTTER PIN DIN 94 2x10 0/000.840.0060 (u. 1)
50	FRONT BRAKE PUMP WITH LEVER CBS 2017 0/000.820.0325 (u. 1)
51	FRONT BRAKE LEVER 2014 0/000.830.1011 (u. 1)
52	STOP SWITCH 0/000.720.0070 (u. 1)
53	BRAKE PIPE FROM CBS VALVE TO REAR BRAKE MASTER CYLINDER 0/000.290.0276 (u. 1)
54	FRONT BRAKE MASTER CYLINDER - CBS VALVE BRAKE PIPE 0/000.290.0278 (u. 1)
55	FRONT BRAKE PIPE CBS VALVE TO CALIPER 0/000.290.0277 (u. 1)
56	SET SPRING PADS 0/000.640.0049 (u. 2)
57	REAR DISC BRAKE CALIPER WITH HOLDER CBS 2017 0/000.860.5121 (u. 1)
58	REAR CALIPER HOLDER KIT CBS 2017 0/000.640.0052 (u. 1)
59	BRAKE PADS SET SBS 0/000.930.0097 (u. 1)
60	CBS VALVE SET 2017 0/000.640.0045 (u. 1)
62	FRONT BRAKE CALIPER WITH BRACKET MRT PRO 2014 0/000.860.5117 (u. 1)
63	BRAKE PADS SET 0/000.930.3005 (u. 1)
64	REAR BRAKE FLUID TANK SET 0/000.030.0170 (u. 1)
65	GEAR BRAKE LEVER PIN RS1 0/000.840.0090 (u. 1)
66	REAR BRAKE PIPE FROM PUMP TO CALIPER 0/000.290.0279 (u. 1)
67	SCREW ISO 7380 TORX T-30 WITH WASHER M6X20 STAINLESS STEEL 0/000.460.3031 (u. 1)
68	TUBE PROTECTOR 680 x 27mm - 18" 0/000.220.0022 (u. 1)
69	FRONT TUBE PROTECTOR 815 x 25mm - 21" 0/000.220.0021 (u. 1)

FRONT FORK



1	PLUG 0/000.410.5203 (u. 2)
2	HYDRAULIC PIPE SET RIGHT 0/000.640.5116 (u. 1)
3	MAIN SPRING TUBE 0/000.470.5103 (u. 1)
4	RIGHT TOE 0/000.880.5006 (u. 1)
5	RIGHT FORK TUBE SUSP. R16V MRT PRO 0/000.290.5209 (u. 1)
6	SCREW DIN 912 Allen M8x20 Grade 8.8 Z/WHITE 0/000.460.0340 (u. 1)
7	UPPER FORK CAP FORK R16V MRT PRO 0/000.410.5204 (u. 1)
8	SUPPORT KMS ACCOUNT MRT R16V 0/000.980.5059 (u. 1)
9	HANDLEBAR CLAMP FORK R16V MRT PRO Ø28 0/000.350.5213 (u. 2)
10	ALLEN SCREW ISO 4762 - M8X25 (Z/WHITE) 0/000.460.0345 (u. 4)
11	UPPER NUT 0/000.340.5201 (u. 1)
12	PLATINA SUPERIOR PARA HORQUILLA COLOR ORO 0/000.660.5004 (u. 1)
13	VIS DIN 7984 M8x40 0/000.460.5202 (u. 8)
14	STEERING DUST COVER 0/000.200.0001 (u. 1)
15	STEERING BEARING MOD/PT101 0/000.960.0200 (u. 2)

16	STEERING DUST COVER 0/000.200.0001 (u. 1)
17	LOWER NUT 0/000.340.5202 (u. 1)
18	LOWER PLATE SILVER 0/000.660.5005 (u. 1)
19	RIGHT / LEFT FORK TUBE R16V MRT PRO 0/000.880.5005 (u. 2)
20	FROK TUBE RING R16V MRT PRO 0/000.300.5002 (u. 2)
21	Ø41 FORK SEAL R16V MRT PRO 0/000.890.5005 (u. 2)
22	FORK SCRAPER RETAINER Ø41 R16V MRT PRO 0/000.890.5006 (u. 2)
23	LEFT FORK TUBE SUSP. R16V MRT PRO 0/000.290.5208 (u. 1)
24	HYDRAULIC PIPE SET LEFT 0/000.640.5117 (u. 1)
25	MR 125 PRO ADJUSTABLE FORK 0/000.130.6007 (u. 1)
26	(PACK 5 PCS) SCREW DIN 912 Allen M10x50 Cal.8.8 Z/WHITE 0/000.460.0402B (u. 2)
27	(5 PCS) FLAT WASHER DIN 125/A M10 Z/WHITE 0/000.440.0110B (u. 4)
29	(5 UNIT BAG) NUT DIN 6926 M10 GRADE 8 Z / WHITE 0/000.340.0182B (u. 2)
30	SHOCK ABSORBER MR 125 PRO ADJUSTABLE 0/000.180.6005 (u. 1)
34	SET TRAPEZOID LINKAGE SUPPORT MRT/PRO ASSEMBLED 0/P00.980.5103 (u. 1)
35	SET LINK MRT PRO 0/000.770.0105 (u. 1)
36	NUT DIN 6926 M10 GRADE 8 Z/WHITE 0/000.340.0182 (u. 1)
37	SCREW DIN 912 ALLEN M10x70 GRADE 8.8 ZINC/WHITE 0/000.460.6210 (u. 1)
38	FLAT WASHER DIN 125/A M10 Z/WHITE 0/000.440.0110 (u. 1)
39	LEFT TOE FORK R16V MRT PRO 0/000.880.5007 (u. 1)
40	NUT DIN 985 M10 GRADE 8 Z/WHITE 0/000.340.0187 (u. 1)

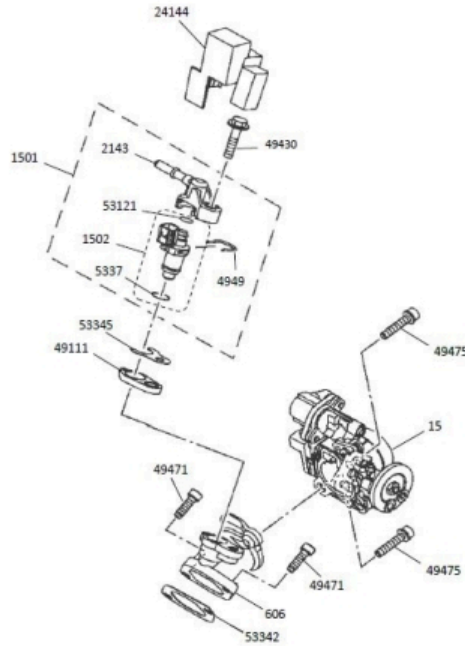
STICKERS

 **RIEJU**
FOR EVERYDAY ADVENTURE

1	DECAL SET MR 125 PRO 2025 0/000.390.6004 (u. 1)
2	ENGINE DECAL MRT 125i PRO MN 0/000.390.5364 (u. 1)
3	DECAL SET WHEEL SM RACING TEAM RED 2014 0/000.390.5122 (u. 4)
4	ETIQUETA IDENTIFICADORA 2025 0/000.390.0147 (u. 1)

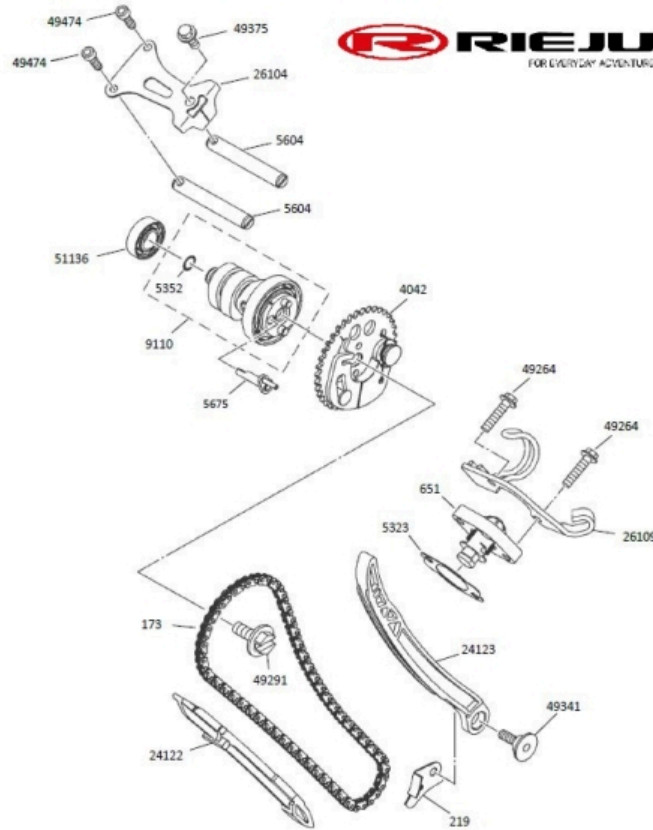
WR125 E5 +

INTAKE



15	KIT ECU + CUERPO MARIPOSA MARATHON 125 E5+ 0/K05.705.6003 (u. 1)	
606	INTAKE MANIFOLD 0/229.000.0016 (u. 1)	
1501	COMPLETE INJECTOR 0/229.000.0025 (u. 1)	
1502	INJECTOR 0/229.000.0026 (u. 1)	
2143	INJECTOR 0/229.000.0031 (u. 1)	
4949	INJECTOR CLIP 0/229.000.0065 (u. 1)	
5337	SEALED INJECTOR RING 0/229.000.0077 (u. 1)	
24144	INJECTOR PROTECTIVE CAP 0/229.000.0110 (u. 1)	
49111	INJECTOR SPACER 0/229.000.0123 (u. 1)	
49430	SCREW M6x30 0/229.000.0149 (u. 1)	
49471	BOLT 91312-06020 (u. 2)	Obsolete
49475	SCREW M6x30 0/229.000.0158 (u. 2)	
53121	UPPER INJECTOR O-RING 0/229.000.0168 (u. 1)	
53342	GASKET PIPE 0/229.000.0176 (u. 1)	
53345	METALLIC INJECTOR GASKET 0/229.000.0178 (u. 1)	

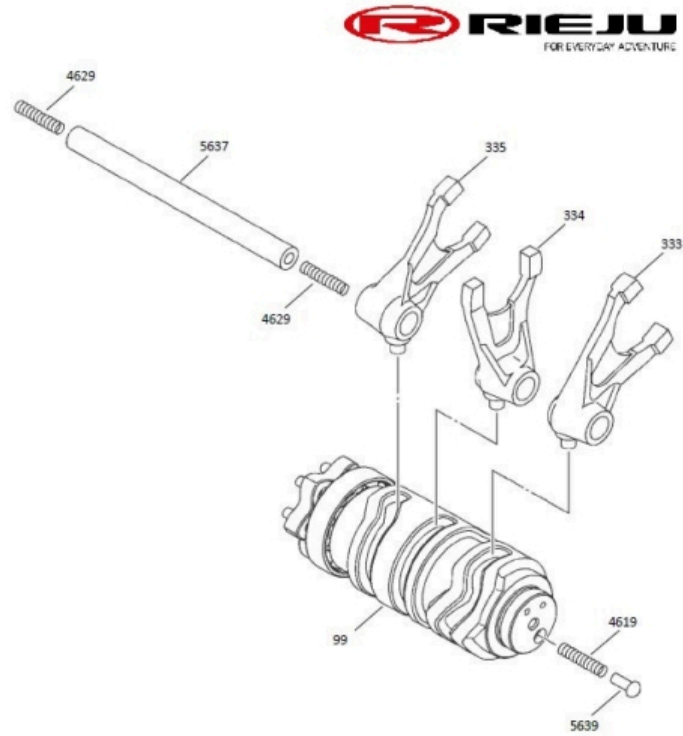
CAMSHAFT-DISTRIBUTION



173	TIMING CHAIN 0/229.002.0001 (u. 1)
219	CHAIN COVER 0/229.000.0010 (u. 1)
651	CHAIN TENSIONER 0/229.000.0019 (u. 1)
4042	DISTRIBUTOR CHAIN SPROCKET 0/229.002.0006 (u. 1)
5323	TENSIONER GASKET 0/229.000.0075 (u. 1)
5352	SEALED RING CAMSHAFT 0/229.000.0078 (u. 1)
5604	CAMSHAFT AXLE 0/229.000.0084 (u. 2)
5675	DECOMPRESSOR CAMSHAFT 0/229.000.0094 (u. 1)
9110	CAMSHAFT 0/229.000.0100 (u. 1)
24122	LOWER CHAIN GUIDE 0/229.002.0016 (u. 1)
24123	CHAIN GUIDE 2 0/229.000.0108 (u. 1)
26104	CAMSHAFT PIN RETAINER PLATE 0/229.000.0111 (u. 1)
26109	CLUTCH CABLE BRACKET 0/229.000.0112 (u. 1)
49264	SCREW M6x25 0/229.000.0131 (u. 2)
49291	WATER PUMP BOLT 0/229.003.0008 (u. 1)

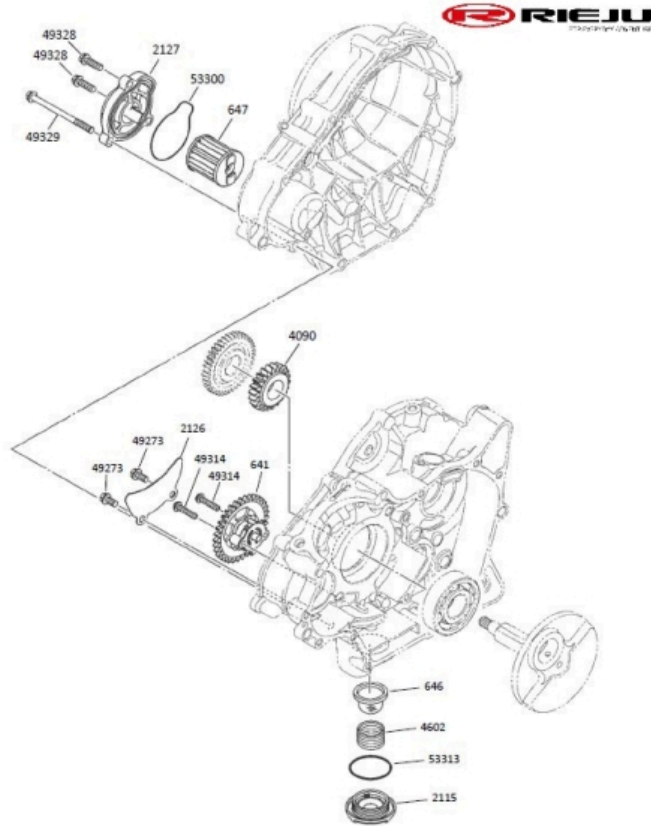
49341	CHAIN GUIDE BOLT 0/229.000.0144 (u. 1)
49375	SCREW M6x14 0/229.000.0147 (u. 1)
49474	SCREW M5x16 0/229.000.0157 (u. 2)
51136	CAMSHAFT BEARING 0/229.000.0165 (u. 1)
53331	O-RING THERMOSTAT 0/229.000.0174 (u. 1)

SELECTOR SHAFT



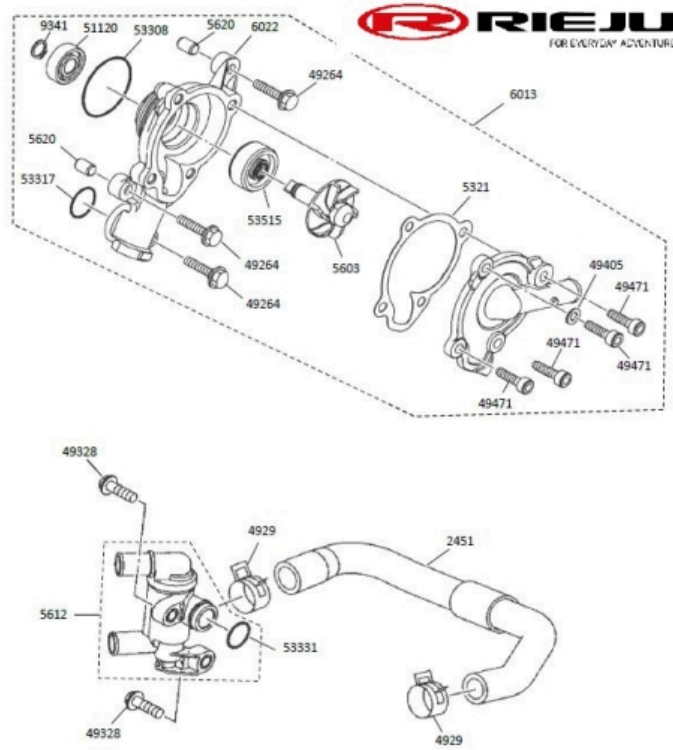
99	COMPLETE GEAR LEVER 0/229.000.0007 (u. 1)
333	GEAR FORK 1 0/229.000.0012 (u. 1)
334	GEARSHIFT FORK 2 0/229.000.0013 (u. 1)
335	GEARSHIFT FORK 3 0/229.000.0014 (u. 1)
4619	GEAR INDICATOR SPRING 0/229.000.0059 (u. 1)
4629	SPRING GUIDE FORK 0/226.010.0008 (u. 2)
5637	GUIDE SHAFT FORK CHANGE 0/229.000.0087 (u. 1)
5639	GEAR INDICATOR NIPPLE 0/229.000.0088 (u. 1)

OIL PUMP



641	OIL PUMP 0/229.000.0017 (u. 1)
646	OIL FILTER 0/229.000.0018 (u. 1)
647	COMPLETE OIL FILTER 0/229.004.0003 (u. 1)
2115	OIL PUMP DRAIN PLUG 0/229.000.0027 (u. 1)
2126	OIL PUMP COVER 0/229.000.0029 (u. 1)
2127	OIL PUMP COVER 0/229.000.0030 (u. 1)
4090	DRIVE GEAR OIL PUMP 0/229.000.0055 (u. 1)
4602	OIL FILTER SPRING 0/229.000.0056 (u. 1)
49273	SCREW M6x12 0/229.000.0132 (u. 2)
49314	SCREW M5x25 0/229.000.0136 (u. 2)
49328	SCREW M6x20 0/229.000.0141 (u. 2)
49329	SCREW M6x80 0/229.000.0142 (u. 1)
53300	O-RING OIL FILTER COVER 0/229.000.0182 (u. 1)
53313	O-RING D33.7 x 3.5 ENGINE OIL PUMP WR 125 EURO5 0/000.490.5005 (u. 1)

WATER PUMP

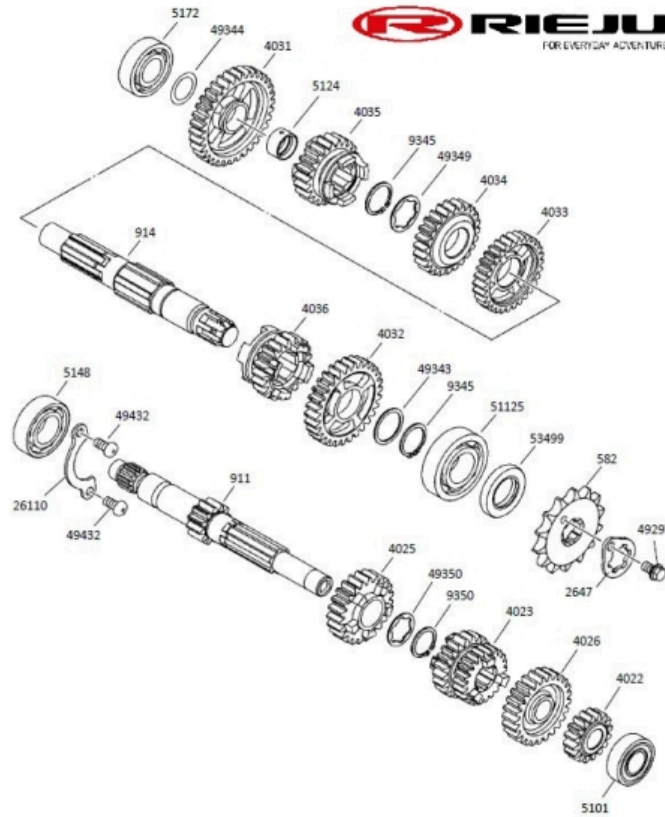


2451	COOLING SYSTEM PIPE 0/229.000.0032 (u. 1)
4929	CLAMP COOLING PIPE 0/229.000.0063 (u. 2)
5321	WATER PUMP COVER GASKET 0/229.000.0074 (u. 1)
5603	CENTRIFUGAL WATER PUMP 0/229.000.0083 (u. 1)
5612	THERMOSTAT 0/229.003.0009 (u. 1)
5620	CENTERING BUSHING CYLINDER HEAD COVER 0/005.560.2670 (u. 2)
6013	COMPLETE WATER PUMP 0/229.003.0010 (u. 1)
6022	WATER PUMP BODY 0/229.000.0096 (u. 1)
9341	WATER PUMP CIRCLIP RING 0/229.000.0104 (u. 1)
49264	SCREW M6x25 0/229.000.0131 (u. 3)
49328	SCREW M6x20 0/229.000.0141 (u. 2)
49405	WASHER 6x11x1 0/229.000.0148 (u. 1)
49471	BOLT 91312-06020 (u. 4)
51120	BEARING D.10 10X26X8 0/226.003.0015 (u. 1)
53308	O-RING 0/229.003.0016 (u. 1)

Obsolete

53317	RING 19X2.4 0/229.006.0016 (u. 1)
53515	SEAL 10x31x13.5 0/229.000.0180 (u. 1)

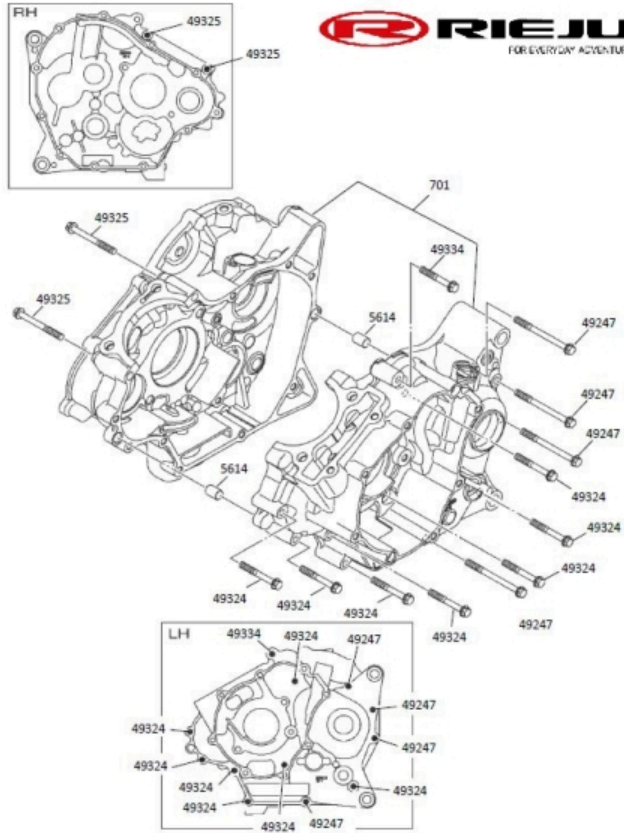
GEAR CHANGE



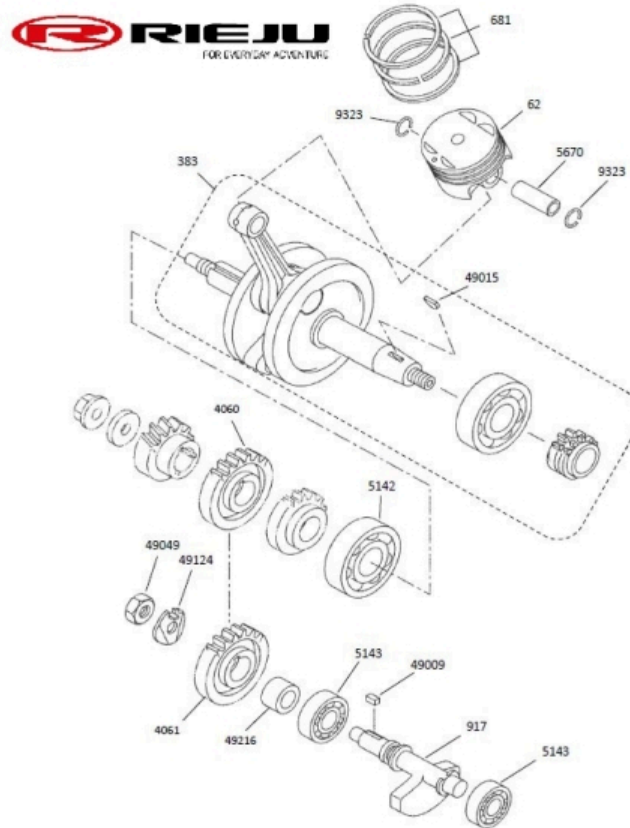
582	FRONT DRIVE SPROCKET Z=14 0/226.009.0001 (u. 1)
911	PRIMARY TRANSMISSION SHAFT 0/229.000.0021 (u. 1)
914	SECONDARY TRANSMISSION SHAFT 0/229.000.0022 (u. 1)
2647	SPROCKET SUPPORT 0/229.000.0036 (u. 1)
4022	2ND GEAR ON PRIMARY PINION 0/226.009.0005 (u. 1)
4023	3RD GEAR ON PRIMARY PINION 0/226.009.0006 (u. 1)
4025	5TH GEAR PRIMARY SHAFT 0/229.000.0045 (u. 1)
4026	6TH GEAR PRIMARY SHAFT PINION 0/229.000.0046 (u. 1)
4031	GEAR 1ST ON SECONDARY SHAFT 0/226.009.0009 (u. 1)
4032	2ND GEAR SECONDARY SHAFT 0/229.000.0047 (u. 1)
4033	3rd GEAR SECONDARY SHAFT 0/229.000.0048 (u. 1)
4034	4TH GEAR SECONDARY SHAFT PINION 0/229.000.0049 (u. 1)
4035	5TH GEAR SECONDARY SHAFT 0/229.000.0050 (u. 1)
4036	6TH GEAR ON SECONDARY SHAFT 0/226.009.0014 (u. 1)
5101	BEARING 15x35x11 0/229.000.0066 (u. 1)

5124	SECONDARY SHAFT BUSHING 0/226.009.0016 (u. 1)
5148	BEARING 20X42x12 0/229.000.0071 (u. 1)
5172	BEARING 17x40x12 0/229.000.0072 (u. 1)
9345	SEEGERRING 0/006.250.0277 (u. 1)
9350	SEEGAR RING 0/006.250.0210 (u. 1)
24143	THREADED HEAD INTERIOR CAP 0/229.000.0109 (u. 1)
26110	BEARING FIXING PLATE 0/229.000.0113 (u. 1)
49297	SCREW M6x10 0/229.000.0134 (u. 1)
49343	WASHER SECONDARY TRANSMISSION SHAFT 0/229.000.0145 (u. 1)
49344	WASHER ON SECONDARY SHAFT 0/226.009.0026 (u. 1)
49349	WASHER 0/226.009.0027 (u. 1)
49350	WASHER 0/226.009.0028 (u. 1)
49432	SCREW M6x12 0/229.000.0150 (u. 2)
51125	SECONDARY TRANSMISSION SHAFT BEARING 0/229.000.0164 (u. 1)
53499	SEAL 38x21x6 0/229.000.0179 (u. 1)

SUMP

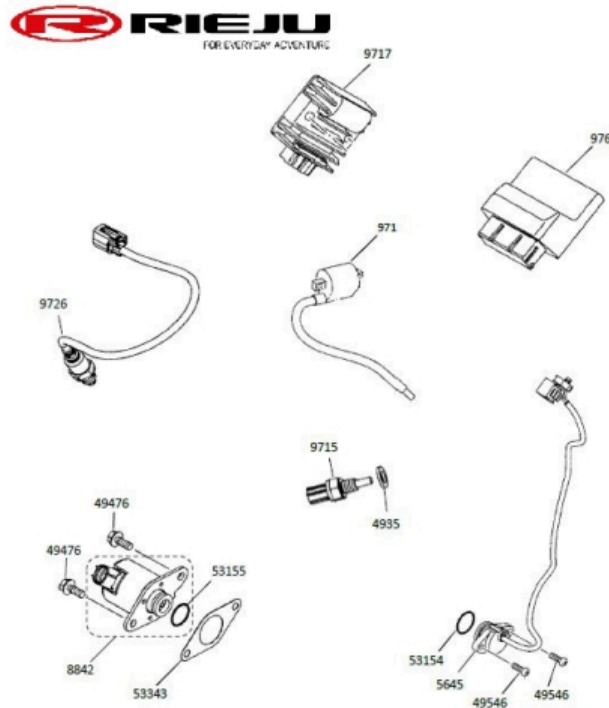


701	COMPLETE CRANKCASE 0/229.000.0020 (u. 1)
5614	BUSHING 10x14x8.5 0/229.000.0085 (u. 2)
49247	SCREW M6x70 0/229.000.0130 (u. 4)
49324	SCREW M6x45 0/229.000.0137 (u. 7)
49325	SCREW M6x55 0/229.000.0138 (u. 2)
49334	SCREW M6x40 0/229.000.0143 (u. 1)

CRANKSHAFT-PISTON


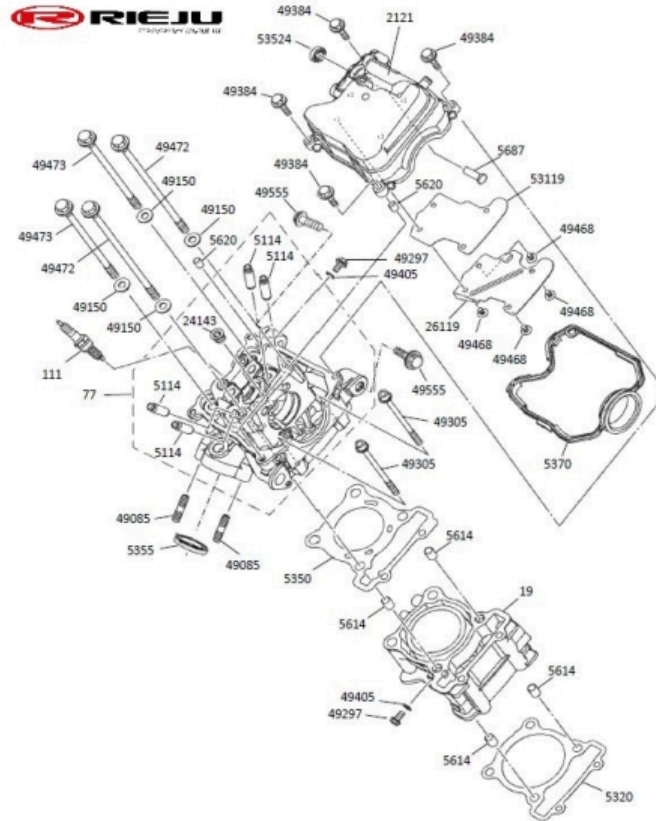
62	PISTON Ø52 0/229.000.0005 (u. 1)
383	COMPLETE CRANKSHAFT 0/229.001.0005 (u. 1)
681	PISTON RING SET 0/229.001.0006 (u. 1)
917	BALANCE SHAFT 0/229.000.0024 (u. 1)
4060	PINION AGAINST CRANKSHAFT 0/229.000.0053 (u. 1)
4061	PINION AGAINST BALANCE SHAFT 0/229.000.0054 (u. 1)
5142	BEARING 1 0/229.001.0014 (u. 1)
5143	BEARING 17x40x12 0/229.000.0070 (u. 2)
5670	PISTON PIN 0/229.000.0093 (u. 1)
9323	CLIP 0/226.001.0018 (u. 2)
49009	KEY 5X5X6 0/226.001.0019 (u. 1)
49015	KEY 13x3x5 0/229.000.0117 (u. 1)
49049	NUT M10 0/229.000.0119 (u. 1)
49124	WASHER PINION AGAINST BALANCE SHAFT AXLE 0/229.000.0124 (u. 1)
49216	BALANCE SHAFT BUSHING 0/229.000.0127 (u. 1)

ELECTRIC COMPONENTS



971	COIL E5 125WR 0/229.000.0001 (u. 1)	Obsolete
976	KIT ECU + CUERPO MARIPOSA MARATHON 125 E5+ 0/K05.705.6003 (u. 1)	
4935	WATER TEMPERATURE SENSOR WASHER 0/229.000.0064 (u. 1)	
5645	GEAR SHIFT SENSOR 0/229.000.0089 (u. 1)	
8842	SOLENOID COIL CAMSHAFT 0/229.000.0099 (u. 1)	
9715	WATER TEMPERATURE SENSOR 0/229.012.0007 (u. 1)	
9717	REGULATOR 0/229.012.0008 (u. 1)	
9726	LAMBDA SENSOR 0/229.000.0106 (u. 1)	
49476	SCREW M6x16 0/229.000.0159 (u. 2)	
49546	SCREW M5x16 0/229.000.0162 (u. 2)	
53154	O-RING GEAR SHIFT SENSOR 0/229.000.0170 (u. 1)	
53155	O-RING SOLENOID COIL 0/229.000.0171 (u. 1)	
53343	METAL GASKET SOLENOID COIL 0/229.000.0177 (u. 1)	

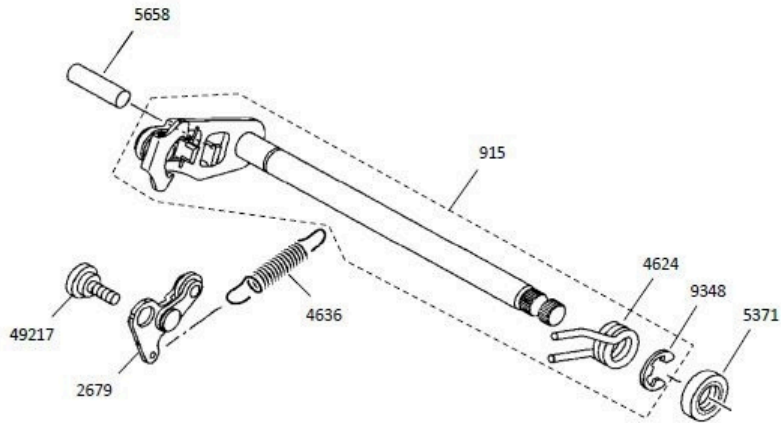
CYLINDER HEAD



19	CYLINDER Ø52 0/229.000.0004 (u. 1)
77	COMPLETE CYLINDER HEAD 0/229.000.0006 (u. 1)
111	SPARK PLUG 0/229.001.0004 (u. 1)
2121	CYLINDER HEAD COVER 0/229.000.0028 (u. 1)
5114	INTAKE VALVE GUIDE 0/229.000.0067 (u. 4)
5320	CYLINDER GASKET 0/229.001.0015 (u. 1)
5350	CYLINDER HEAD GASKET 0/229.001.0016 (u. 1)
5355	COLLECTOR GASKET 0/229.000.0079 (u. 1)
5370	HEAD COVER GASKET 0/229.001.0030 (u. 1)
5614	BUSHING 10x14x8.5 0/229.000.0085 (u. 4)
5620	CENTERING BUSHING CYLINDER HEAD COVER 0/005.560.2670 (u. 1)
5687	CYLINDER PIN 0/229.000.0095 (u. 1)
49085	CYLINDER HEAD ANTI-VIBRATION 0/229.000.0122 (u. 2)
49150	FLAT WASHER Ø18X8.2X1.6 0/229.000.0125 (u. 4)
49297	SCREW M6x10 0/229.000.0134 (u. 2)

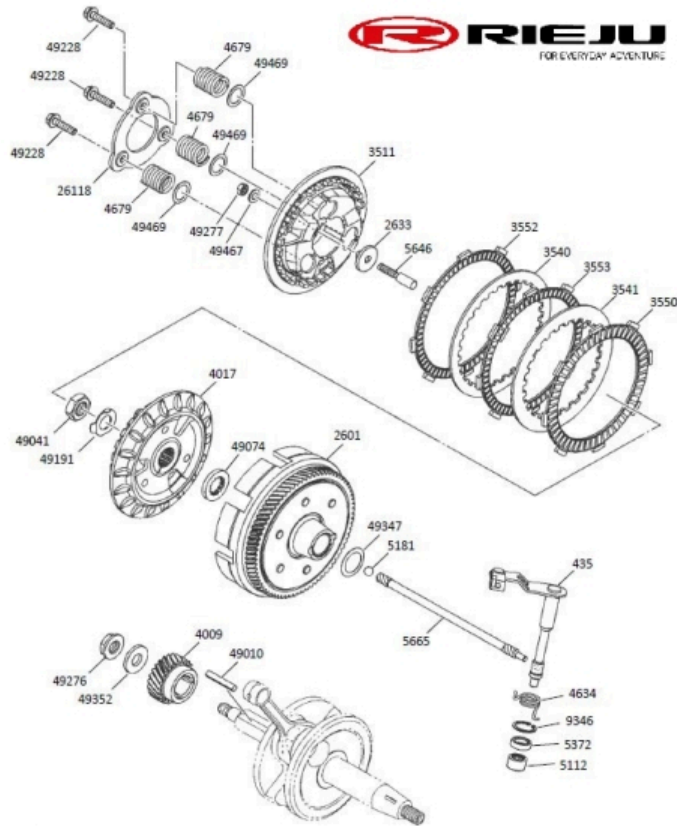
49305	SCREW M6x100 0/229.000.0135 (u. 2)
49384	BOLT, FLANGE 95022-06030 (u. 4)
49405	WASHER 6x11x1 0/229.000.0148 (u. 2)
49468	LOWER INTERIOR COVER ROCKER COVER 0/229.000.0152 (u. 4)
49472	CYLINDER SCREW M8x1.25 L=200 0/229.000.0155 (u. 2)
49473	CYLINDER SCREW M8x1.25 L=155 0/229.000.0156 (u. 2)
53119	UPPER INNER COVER ROCKER COVER 0/229.000.0167 (u. 1)
53524	SEAL 18x6.8x6 0/229.000.0181 (u. 1)

SELECTOR SHIFT



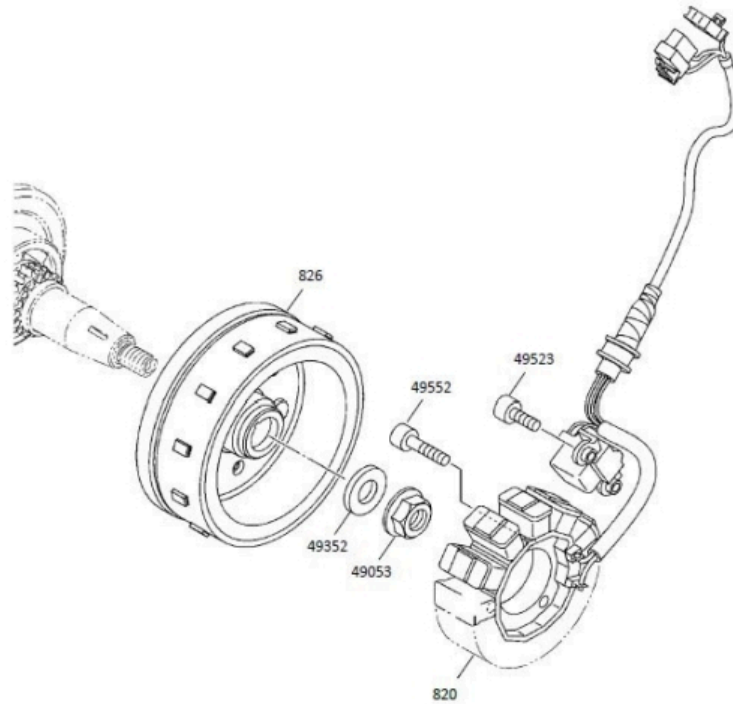
915	COMPLETE SELECTOR SHAFT 0/229.000.0023 (u. 1)	
2679	SELECTOR STOP LEVER 0/229.000.0037 (u. 1)	
4624	SPRG., TORSION 0/226.010.0007 (u. 1)	Obsolete
4636	GEAR SELECTOR SPRING 0/229.000.0061 (u. 1)	
5371	OIL SEAL SELECTOR SHAFT 12x22x5 0/229.000.0082 (u. 1)	
5658	SELECTOR SPRING ALIGNER 0/229.000.0091 (u. 1)	
9348	SELECTOR SHAFT RING 0/229.000.0105 (u. 1)	
49217	SELECTOR STOP LEVER SCREW 0/229.000.0128 (u. 1)	

CLUTCH



435	CLUTCH LEVER 0/229.000.0015 (u. 1)
2601	CLUTCH BELL 0/229.008.0033 (u. 1)
2633	CLUTCH PLATE 0/229.000.0035 (u. 1)
3511	FINAL DISC CLUTCH COVER 0/229.000.0040 (u. 1)
3540	CLUTCH SEPARATOR DISC n1 0/229.000.0041 (u. 1)
3541	CLUTCH DISC SET v.2 0/229.008.0032 (u. 1)
3550	FRICTION DISC n1 0/229.000.0042 (u. 1)
3552	FRICTION DISC n2 0/229.008.0031 (u. 1)
3553	FRICTION DISC n3 0/229.000.0043 (u. 1)
4009	DRIVE SPROCKET Z=24 0/229.000.0044 (u. 1)
4017	CLUTCH DRUM 0/229.008.0010 (u. 1)
4634	CLUTCH RETURN SPRING 0/229.000.0060 (u. 1)
4679	CLUTCH RETURN SPRING 0/229.008.0011 (u. 3)
5181	FINAL BALL PUSH ROD 0/229.000.0073 (u. 1)
5372	OIL SEAL 18X12X5 0/226.008.0016 (u. 1)

5646	THRUST FRICTION SHAFT 0/229.000.0090 (u. 1)	
5665	INTERNAL SHAFT CLUTCH HUB 0/229.000.0092 (u. 1)	
9346	CIRCLIP 0/226.008.0019 (u. 1)	Obsolete
26118	CLUTCH SPRING RETAINER PLATE 0/229.000.0114 (u. 1)	
49010	KEY 5X5X33 0/226.008.0020 (u. 1)	
49041	NUT M14 0/229.000.0118 (u. 1)	
49074	CLUTCH BELL WASHER 0/229.000.0121 (u. 1)	
49191	CLUTCH NUT LOCK WASHER 0/229.000.0126 (u. 1)	
49228	CLUTCH SPRING RETAINING SCREW 0/229.000.0129 (u. 1)	
49276	M12X1 H=8 NUT 0/226.008.0026 (u. 1)	
49277	NUT FINAL DISC CLUTCH COVER 0/229.000.0133 (u. 1)	
49347	CONICAL WASHER 20X28X5X0.3 0/226.008.0028 (u. 1)	
49352	WASHER 12x27x3 0/229.000.0146 (u. 1)	
49467	FINAL DISC WASHER CLUTCH COVER 0/229.000.0151 (u. 1)	
49469	SPRING WASHER CLUTCH BELL 0/229.000.0153 (u. 3)	

MAGNETIC FLYWHEEL


820 STATOR BASE WITH COILS
0/229.011.0004 (u. 1)

826 FLYWHEEL ROTOR
0/229.011.0005 (u. 1)

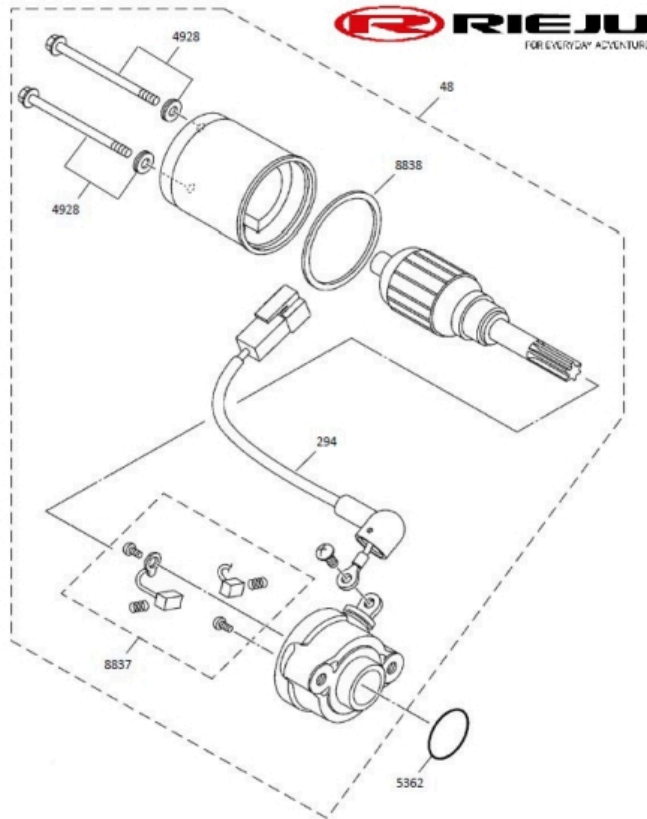
49053 NUT M12 WITH WASHER
0/229.000.0120 (u. 1)

49352 WASHER 12x27x3
0/229.000.0146 (u. 1)

49523 SCREW M6x16
0/229.000.0161 (u. 1)

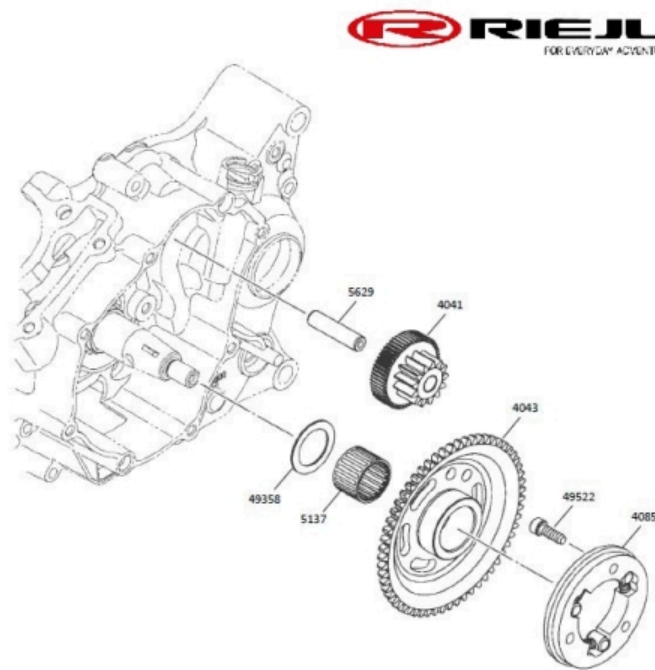
49552 SCREW M6x25
0/229.000.0163 (u. 1)

START ENGINE



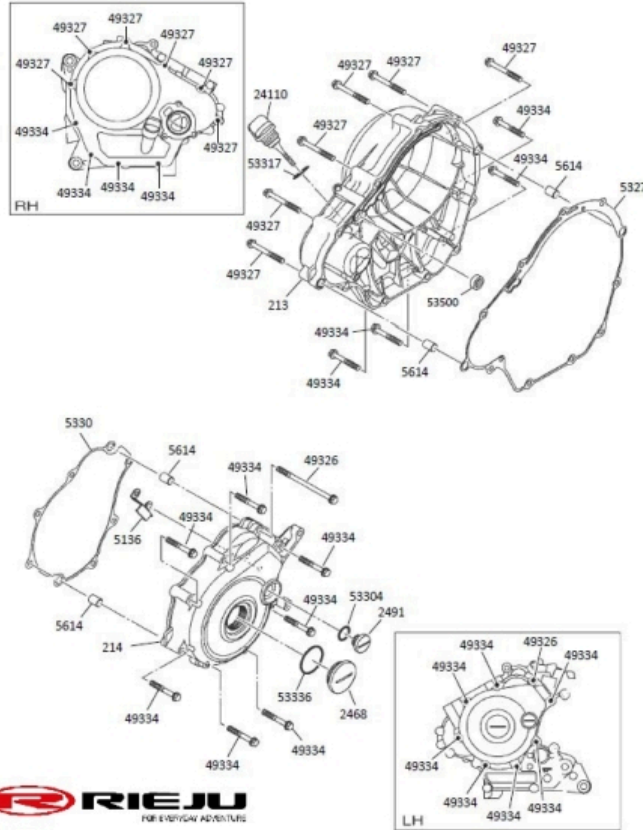
48	STARTER MOTOR 0/229.011.0001 (u. 1)
294	INSTALLATION STARTER MOTOR 0/229.000.0011 (u. 1)
4928	STARTER MOTOR SCREW 0/229.000.0062 (u. 1)
5362	SEALED RING STARTER MOTOR 0/229.000.0080 (u. 1)
8837	INTERNAL WATER PUMP PARTS SET 0/229.000.0097 (u. 1)
8838	STARTER MOTOR GASKET 0/229.000.0098 (u. 1)

STARTER SISTEM



4041	INTERMEDIATE DOUBLE GEAR 0/226.007.0001 (u. 1)
4043	6TH GEAR SECONDARY SHAFT SPROCKET 0/229.000.0052 (u. 1)
4085	COMPLETE FREEWHEEL 0/229.007.0003 (u. 1)
5137	NEEDLE BEARING 30x25x19.8 0/229.000.0069 (u. 1)
5629	INTERMEDIATE SUPPORT SHAFT 0/229.000.0086 (u. 1)
49358	SILVER WASHER D25 2X36X1 0/226.007.0010 (u. 1)
49522	SCREW M6x20 0/229.000.0160 (u. 1)

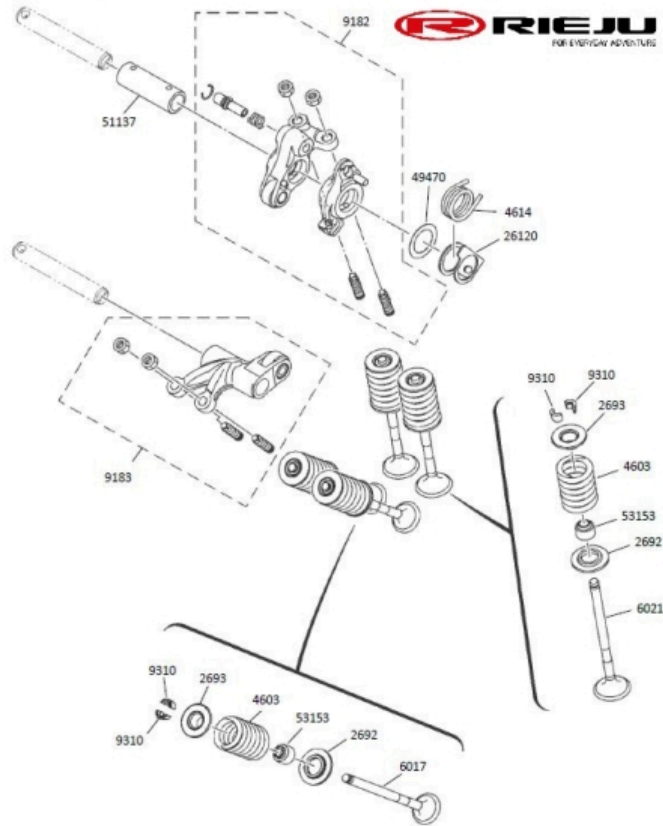
COVERS



213	CLUTCH COVER 0/229.000.0008 (u. 1)	
214	FLYWHEEL COVER 0/229.000.0009 (u. 1)	
2468	OIL DRAIN PLUG 1 0/229.000.0033 (u. 1)	
2491	OIL DRAIN PLUG 2 0/229.000.0034 (u. 1)	
5136	CABLE FIXING BRACKET 0/229.000.0068 (u. 1)	
5327	CLUTCH COVER GASKET 0/226.006.0005 (u. 1) JUNTA TAPA EMBRAGUE EURO4 0/000.490.5007 (u. 1)	Obsolete
5330	FLYWHEEL COVER GASKET 0/229.006.0006 (u. 1)	
5614	BUSHING 10x14x8.5 0/229.000.0085 (u. 4)	
24110	OIL LEVEL PLUG 0/229.006.0007 (u. 1)	
49326	SCREW M6x90 0/229.000.0139 (u. 1)	
49327	SCREW M6x50 0/229.000.0140 (u. 7)	
49334	SCREW M6x40 0/229.000.0143 (u. 11)	
53304	OIL PLUG O-RING 0/229.000.0172 (u. 1)	
53317	RING 19X2.4 0/229.006.0016 (u. 1)	

53336	OIL CAP O-RING 0/229.000.0175 (u. 1)
53500	OIL SEAL 0/229.003.0017 (u. 1)

VALVES



2692 LOWER VALVE SPRING BUSHING
0/229.000.0038 (u. 1)

2693 UPPER VALVE SPRING BUSHING
0/229.000.0039 (u. 1)

4603 VALVE SPRING
0/229.000.0057 (u. 1)

4614 ROCKER SPRING
0/229.000.0058 (u. 1)

6017 VALVULA ESCAPE
0/229.002.0009 (u. 2)

6021 INTAKE VALVE
0/229.002.0010 (u. 1)

9182 COMPLETE ROCKER ARM 1
0/229.000.0101 (u. 1)

9183 COMPLETE ROCKER ARM 2
0/229.000.0102 (u. 1)

9310 VALVE SEAL
0/229.000.0103 (u. 2)

26120 ROCKER SPRING FIXING PLATE
0/229.000.0116 (u. 1)

49470 WASHER ROCKER Ø21x15x2.3
0/229.000.0154 (u. 1)

51137 ROCKER SHAFT
0/229.000.0166 (u. 1)

53153 OIL SEAL VALVE
0/229.002.0028 (u. 1)